



# A-Shape LED

## 5A19/LED/850/ND 120V 2PK 4/2

Philips A-shape Dimmable LED lamps are the smart LED alternative to standard incandescents. The unique lamp design provides omi-directional light with excellent dimming performance.

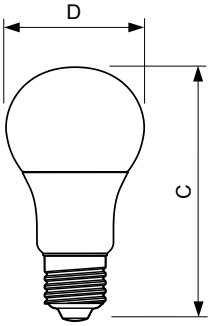
### Product data

General Information	
Base	E26 [ Single Contact Medium Screw]
Nominal Lifetime (Nom)	10950 h
Switching Cycle	50000X
Technical Type	5-40W
Light Technical	
Color Code	850 [ CCT of 5000K]
Initial lumen (Nom)	450 lm
Luminous Flux (Rated) (Nom)	450 lm
Color Designation	Daylight
Correlated Color Temperature (Nom)	5000 K
Luminous Efficacy (rated) (Nom)	90 lm/W
Color Consistency	ANSI
Color Rendering Index (Nom)	80
LLMF At End Of Nominal Lifetime (Nom)	70 %
Operating and Electrical	
Input Frequency	60 Hz
Power (Rated) (Nom)	5 W
Lamp Current (Nom)	80 mA
Starting Time (Nom)	0.5 s
Warm Up Time to 60% Light (Nom)	0.5 s
Power Factor (Nom)	0.5

Voltage (Nom)	120 V
Temperature	
T-Case Maximum (Nom)	100 °C
Controls and Dimming	
Dimmable	No
Mechanical and Housing	
Bulb Finish	Frosted (FR)
Approval and Application	
Suitable For Accent Lighting	No
Product Data	
Order product name	5A19/LED/850/ND 120V 2PK/4
EAN/UPC - Product	50046677462180
Order code	462184
Numerator - Quantity Per Pack	1
Numerator - Packs per outer box	4
Material Nr. (12NC)	929001203734
Net Weight (Piece)	0.052 kg

# A-Shape LED

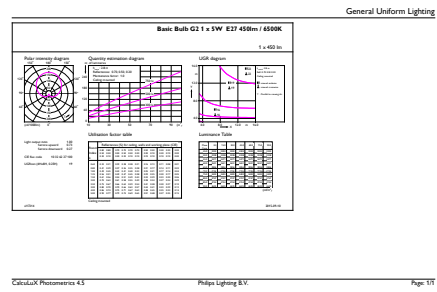
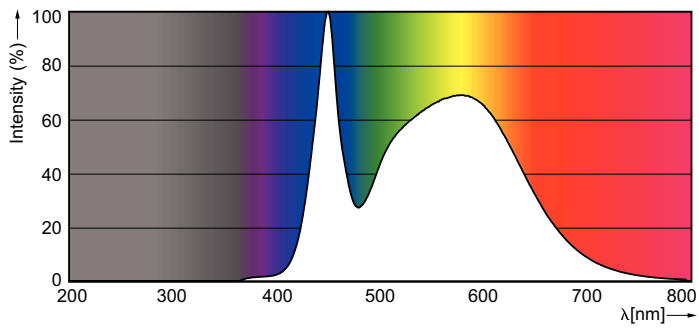
## Dimensional drawing



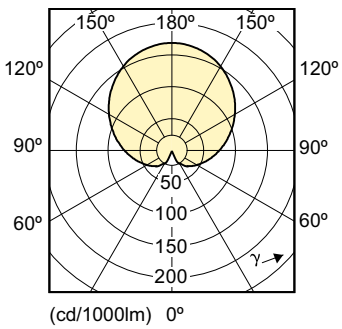
Basic Bulb 5W-40W 450lm 5000K E26 ND

Product	D	C
5A19/LED/850/ND 120V 2PK/4	61 mm	107 mm

## Photometric data



LEDlamps, A19 5W-40W 5000K 450lm



## A-Shape LED

