



# MR16/GU10/PAR16 LED

## BC7MR16/AMB/F35/3000 DIM 12V

Philips MR16 Dimmable LED Lamps provide ambient level light to illuminate hard to maintain applications. Increased transformer compatibility allows for operation on a wider range of transformers. Available in dimmable and non-dimmable versions, these lamps are ideal for track and open recessed fixtures in retail, hospitality and residential spaces.

### Product data

General Information	
Base	GU5.3 [ GU5.3]
Nominal Lifetime (Nom)	25000 h
Switching Cycle	50000X
Technical Type	7-50W
Light Technical	
Color Code	830 [ CCT of 3000K]
Beam Angle (Nom)	35 °
Initial lumen (Nom)	500 lm
Luminous Flux (Rated) (Nom)	500 lm
Luminous Intensity (Nom)	1350 cd
Color Designation	White (WH)
Rated Beam Angle	35 °
Correlated Color Temperature (Nom)	3000 K
Luminous Efficacy (rated) (Nom)	71.43 lm/W
Color Consistency	<6
Color Rendering Index (Nom)	80
LLMF At End Of Nominal Lifetime (Nom)	70 %

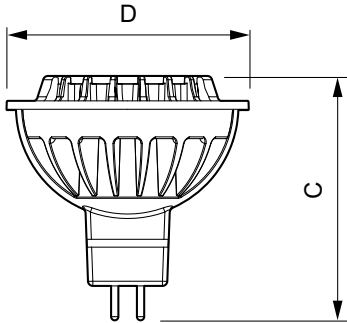
Operating and Electrical	
Power (Rated) (Nom)	7 W
Lamp Current (Nom)	720 mA
Starting Time (Nom)	0.5 s
Warm Up Time to 60% Light (Nom)	0.5 s
Power Factor (Nom)	0.7
Voltage (Nom)	12 V
Temperature	
T-Case Maximum (Nom)	102 °C
Controls and Dimming	
Dimmable	Yes
Approval and Application	
Suitable For Accent Lighting	Yes
Product Data	
Order product name	BC7MR16/AMB/F35/3000 DIM 12V
EAN/UPC - Product	046677461508

# MR16/GU10/PAR16 LED

Order code	461509
Numerator - Quantity Per Pack	1
Numerator - Packs per outer box	4
Material Nr. (12NC)	929001208003

Net Weight (Piece)	0.006 kg
--------------------	----------

## Dimensional drawing

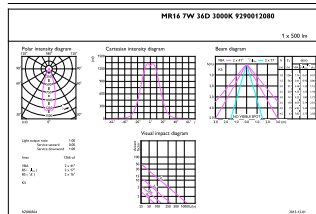


MR16 12V 7W-50W 520lm 3000K GU5.3 Dim

Product	D	C
BC7MR16/AMB/F35/3000 DIM 12V	51 mm	51 mm

## Photometric data

Accent Lighting - Spots



CalcLux Photometrics 4.5

Philips Lighting B.V.

Page 1/1

LEDSpot 7W GU5.3 MR16 830 35D DIM

