



MR16/GU10/PAR16

BC7MR16/AMB/F35/3000 DIM 12V

Philips MR16 Dimmable LED Lamps provide ambient level light to illuminate hard to maintain applications. Increased transformer compatibility allows for operation on a wider range of transformers. Available in dimmable and non-dimmable versions, these lamps are ideal for track and open recessed fixtures in retail, hospitality and residential spaces.

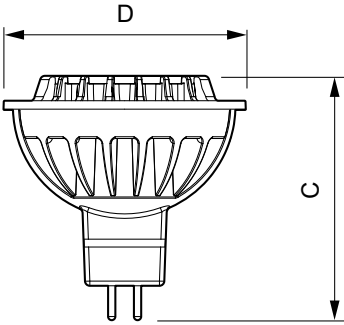
Product data

General Information		Lamp Current (Nom)	
Cap-Base	GU5.3 [GU5.3]		720 mA
Nominal Lifetime (Nom)	25000 h	Wattage Equivalent	50 W
Switching Cycle	50000X	Starting Time (Nom)	0.5 s
Technical Type	7-50W	Warm Up Time to 60% Light (Nom)	0.5 s
		Power Factor (Nom)	0.7
		Voltage (Nom)	12 V
Light Technical		Temperature	
Color Code	830 [CCT of 3000K]	T-Case Maximum (Nom)	102 °C
Beam Angle (Nom)	35 °		
Luminous Flux (Nom)	500 lm	Controls and Dimming	
Luminous Flux (Rated) (Nom)	500 lm	Dimmable	Yes
Luminous Intensity (Nom)	1350 cd		
Color Designation	White (WH)	Approval and Application	
Rated Beam Angle	35 °	Suitable For Accent Lighting	Yes
Correlated Color Temperature (Nom)	3000 K		
Luminous Efficacy (rated) (Nom)	71.43 lm/W	Product Data	
Color Consistency	<6	Order product name	BC7MR16/AMB/F35/3000 DIM 12V
Color Rendering Index (Nom)	80	EAN/UPC - Product	046677461508
LLMF At End Of Nominal Lifetime (Nom)	70 %	Order code	929001208003
Operating and Electrical		Numerator - Quantity Per Pack	1
Power (Rated) (Nom)	7 W	Numerator - Packs per outer box	4

MR16/GU10/PAR16

Material Nr. (12NC)	929001208003
Net Weight (Piece)	0.006 kg

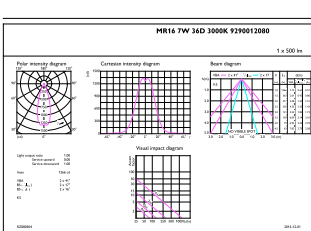
Dimensional drawing



MR16 12V 7W-50W 520lm 3000K GU5.3 Dim

Product	D	C
BC7MR16/AMB/F35/3000 DIM 12V	51 mm	51 mm

Photometric data



LEDspot 7W GU5.3 MR16 830 35D DIM

