



MASTER LEDtube InstantFit HF

MASTER LEDtube HF 600mm 10.5W865 T8

The Philips MASTER LEDtube integrates a LED light source into a traditional fluorescent form factor. Its unique design creates a perfectly uniform visual appearance which cannot be distinguished from traditional fluorescent. The MASTER LEDtube Performance is the ideal solution for customers which have higher light requirements and the want to maximize value over lifetime.(need the longest lifetime). Full energy savings and TCO benefits.

Product data

General Information	
Cap base	G13 [Medium Bi-Pin Fluorescent]
Main application	Industrial
Nominal lifetime (nom.)	50000 h
Switching cycle	50000X
B50L70	50000 h
Light Technical	
Colour code	865 [CCT of 6,500 K]
Beam Angle (Nom)	160 °
Luminous flux (nom.)	1050 lm
Luminous flux (rated) (nom.)	1050 lm
Rated beam angle	160 °
Correlated colour temperature (nom.)	6500 K
Colour consistency	<6
Color rendering index (nom.)	83
LLMF at end of nominal lifetime (nom.)	70 %

Operating and Electrical	
Input frequency	20000-80000 Hz
Power (Rated) (Nom)	10.5 W
Lamp current (max.)	400 mA
Lamp current (min.)	200 mA
Starting time (nom.)	0.5 s
Warm-up time to 60% light (nom.)	0.5 s
Power factor (nom.)	0.9
Voltage (Nom)	30-80 V
Temperature	
T storage (max.)	65 °C
T storage (min.)	-40 °C
T-Case maximum (nom.)	40 °C
Controls and Dimming	
Dimmable	No

MASTER LEDtube InstantFit HF

Mechanical and Housing

Product length 600 mm

Approval and Application

Energy efficiency label (EEL) A+
 Energy-saving product Yes
 Suitable for accent lighting No
 Energy Consumption kWh/1000 h 13 kWh

Product Data

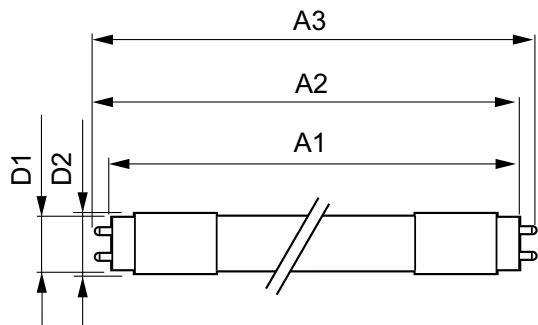
Full product code 871869655969700

Order product name	MASTER LEDtube HF 600mm 10.5W865 T8
EAN/UPC – product	8718696559697
Order code	55969700
Numerator – quantity per pack	1
Numerator – packs per outer box	10
Material no. (12NC)	929001219702
Net weight (piece)	0.160 kg

Warnings and Safety

• NOTES: The overall energy efficiency and light distribution of any installation that uses these lamps are determined by the design of the installation.

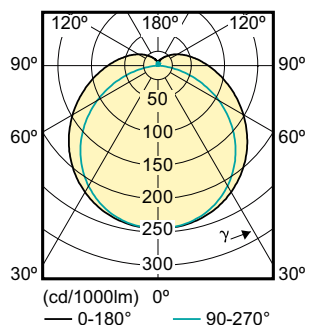
Dimensional drawing



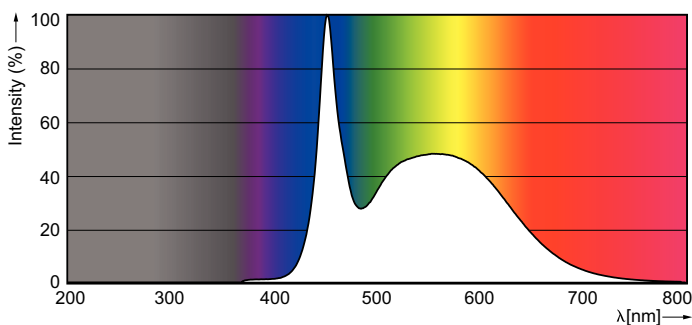
TLED 230V 10.5W-36W 1050lm160D6500K T8ND

Product	D1	D2	A1	A2	A3
MASTER LEDtube HF 600mm 10.5W865 T8	25.6 mm	27.8 mm	588.6 mm	595.7 mm	602.8 mm

Photometric data

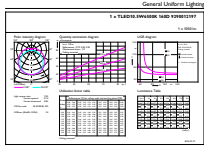


TLED 230V 10.5W-36W 160D T8ND



MASTER LEDtube InstantFit HF

Photometric data



General Parameters 41 Photo Lighting 8 11 Page 11

TLED 230V 10.5W-36W 1050lm /865 160D T8ND

