



A-Shape LED

BC8A19/LED/BLUE/ND 120V 6/1

Philips A-shape LED lamps are the LED alternative to standard incandescents. It provides beautiful light and dependable performance you expect from LED at an affordable price.

Product data

General Information	
Cap-Base	E26 [Single Contact Medium Screw]
Nominal lifetime	10,950 hour(s)
Switching Cycle	50,000
Lighting Technology	LED
EU RoHS compliant	Yes

Light Technical	
Color Consistency	ANSI
LLMF At End Of Nominal Lifetime (Nom)	70 %

Operating and Electrical	
Line Frequency	60 Hz
Input Frequency	60 Hz
Power Consumption	8 W
Lamp Current (Nom)	125 mA
Wattage Equivalent	60 W
Starting Time (Nom)	0.5 s
Warm-up time to 60% light	0.5 s
Power Factor (Fraction)	0.5
Voltage (Nom)	120 V

Controls and Dimming	
Dimmable	No

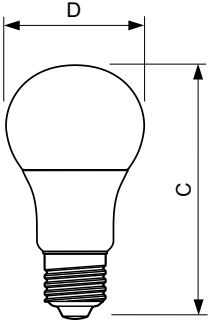
Mechanical and Housing	
Bulb Finish	Frosted
Bulb Shape	A19 [A 19mm]

Approval and Application	
Suitable For Accent Lighting	No
Energy Consumption kWh/1000 h	8 kWh

Product Data	
Order product name	BC8A19/LED/BLUE/ND 120V
Full product name	BC8A19/LED/BLUE/ND 120V 6/1
Order code	463307
Material Nr. (12NC)	929001223804
Numerator - Quantity Per Pack	1
EAN/UPC - Product/Case	046677463304
Numerator - Packs per outer box	6
EAN/UPC - Case	50046677463309

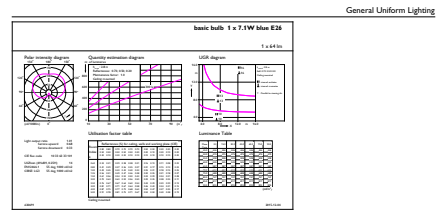
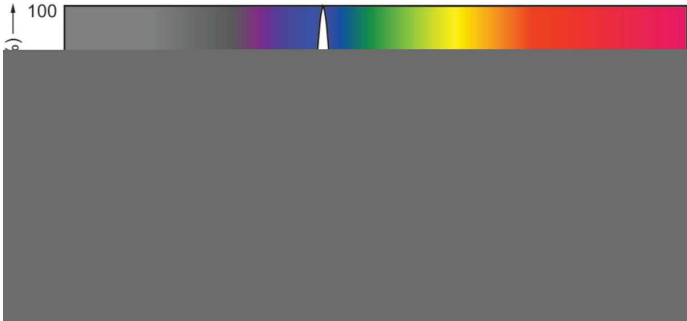
A-Shape LED

Dimensional drawing



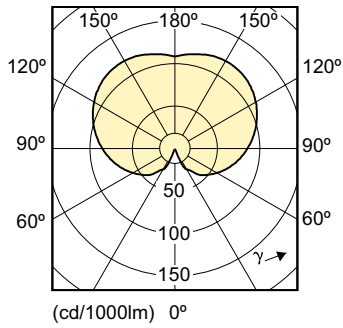
Product	D	C
BC8A19/LED/BLUE/ND 120V	61.0 mm	107 mm

Photometric data



Spectral Power Distribution Colour - BC8A19/LED/BLUE/ND 120V

General uniform lighting - BC8A19/LED/BLUE/ND 120V



Light Distribution Diagram - BC8A19/LED/BLUE/ND 120V

A-Shape LED

