



CorePro Plastic LEDbulbs

CorePro LEDbulb ND 8-60W A60 B22 827

CorePro LEDbulbs are compatible with existing fixtures with an E27 or B22 holder and are designed for retrofit replacement of incandescent bulbs. They deliver huge energy savings and minimize maintenance cost.

Product data

General Information	
Cap-Base	B22 [B22]
Nominal lifetime	15,000 hour(s)
Switching Cycle	50,000
Lighting Technology	LED
Flux measurement reference	Sphere
EU RoHS compliant	Yes
Light Technical	
Color Code	827 [CCT of 2700K]
Beam Angle (Nom)	200 degree(s)
Luminous Flux	806 lm
Color Designation	Warm White (WW)
Correlated Color Temperature (Nom)	2700 K
Luminous Efficacy (rated) (Nom)	100.00 lm/W
Color Consistency	<6
Color rendering index (CRI)	80
LLMF At End Of Nominal Lifetime (Nom)	70 %
Flickering value (PstLM)	1
Stroboscopic effect value (SVM)	0.4

Operating and Electrical	
Line Frequency	50 to 60 Hz
Input Frequency	50 to 60 Hz
Power Consumption	8 W
Lamp Current (Nom)	75 mA
Wattage Equivalent	60 W
Starting Time (Nom)	0.5 s
Warm-up time to 60% light	0.5 s
Power Factor (Fraction)	0.5
Voltage (Nom)	220-240 V
Temperature	
T-Case Maximum (Nom)	85 °C
Controls and Dimming	
Dimmable	No
Mechanical and Housing	
Bulb Finish	Frosted
Bulb Shape	A60 [A 60mm]

CorePro Plastic LEDbulbs

Approval and Application

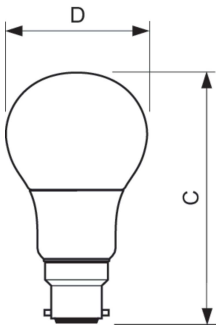
Energy Efficiency Class	F
Energy Consumption kWh/1000 h	8 kWh
EPREL Registration Number	397622
EyeComfort	Yes

Product Data

Order product name	CorePro LEDbulb ND 8-60W A60 B22 827
Full product name	CorePro LEDbulb ND 8-60W A60 B22 827

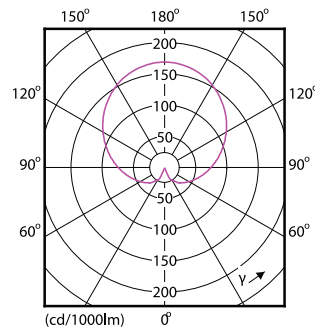
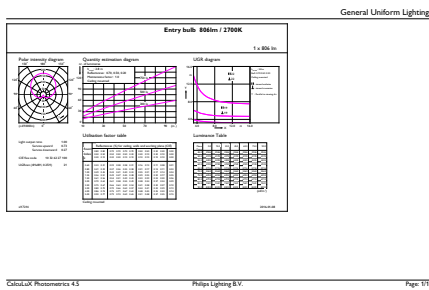
Full product code	871869657763900
Order code	57763900
Material Nr. (12NC)	929001233902
Numerator - Quantity Per Pack	1
EAN/UPC - Product/Case	8718696577639
Numerator - Packs per outer box	10
EAN/UPC - Case	8718696577646

Dimensional drawing



Product	D	C
CorePro LEDbulb ND 8-60W A60 B22 827	60 mm	110 mm

Photometric data

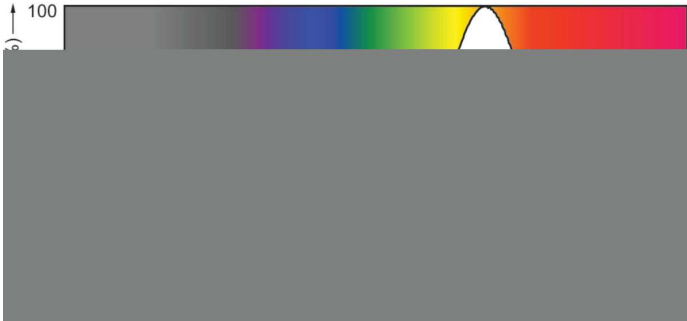


General uniform lighting - CorePro LEDbulb ND 8-60W A60 B22 827

Light Distribution Diagram - CorePro LEDbulb ND 8-60W A60 B22 827

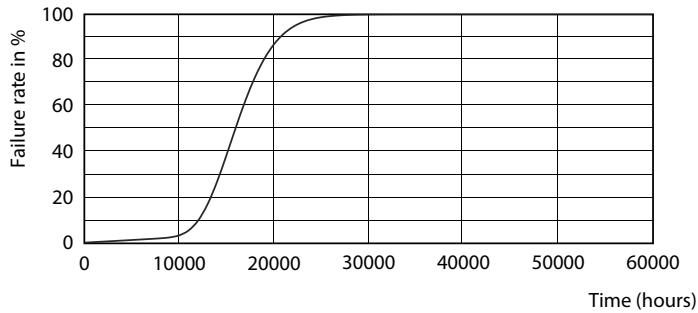
CorePro Plastic LEDbulbs

Photometric data

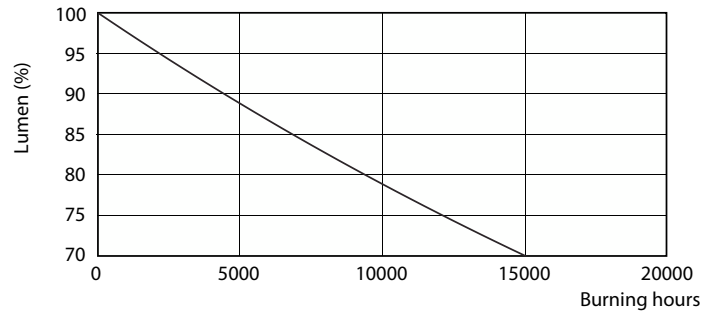


Spectral Power Distribution Colour - CorePro LEDbulb ND 8-60W A60 B22 827

Lifetime



Life Expectancy Diagram - CorePro LEDbulb ND 8-60W A60 B22 827



Lumen Maintenance Diagram - CorePro LEDbulb ND 8-60W A60 B22 827

