



CorePro LEDbulb

CorePro LEDbulb ND 11-75W A60 B22 827

CorePro LEDbulbs are compatible with existing fixtures with an E27 or B22 holder and are designed for retrofit replacement of incandescent bulbs. They deliver huge energy savings and minimize maintenance cost.

Product data

General information	
Cap base	B22 [B22]
EU RoHS compliant	Yes
Nominal lifetime (nom.)	15000 h
Switching cycle	50000
Technical type	11-75W
	Sphere
Tier	CorePro

Light technical	
Colour Code	827 [CCT of 2,700 K]
Beam Angle (Nom)	200 °
Luminous flux (nom.)	1055 lm
Colour designation	Warm White (WW)
Correlated Colour Temperature (Nom)	2700 K
Luminous efficacy (rated) (nom.)	95.00 lm/W
Colour consistency	<6
Colour rendering index (nom.)	80
LLMF at end of nominal lifetime (nom.)	70 %

Operating and electrical	
Input frequency	50 to 60 Hz
Power (Rated) (Nom)	11 W
Lamp current (nom.)	95 mA

Wattage equivalent	75 W
Starting time (nom.)	0.5 s
Warm-up time to 60% light (nom.)	0.5 s
Power factor (nom.)	0.5
Voltage (Nom)	220-240 V

Temperature	
T-Case maximum (nom.)	80 °C

Controls and dimming	
Dimmable	No

Mechanical and housing	
Lamp Finish	Frosted
Bulb shape	A60 [A 60mm]

Approval and application	
Energy Efficiency Class	F
Energy consumption kWh/1,000 hours	11 kWh
	397623

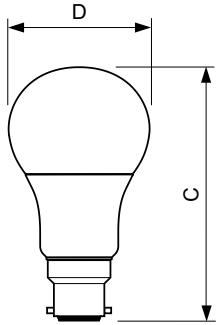
Product data	
Full product code	871869657761500
Order product name	CorePro LEDbulb ND 11-75W A60 B22 827

CorePro LEDbulb

EAN/UPC – product	8718696510049
Order code	57761500
SAP numerator – quantity per pack	1
Numerator – packs per outer box	10

SAP material	929001234002
Net Weight (Piece)	0.080 kg

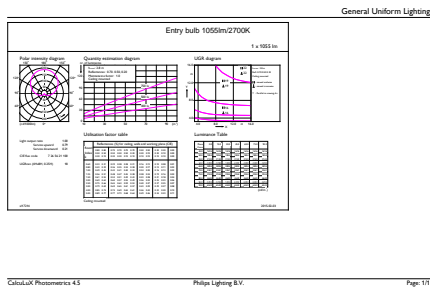
Dimensional drawing



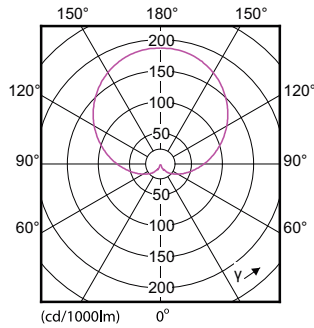
CorePro LEDbulb ND 11-75W A60 B22 827

Product	D	C
CorePro LEDbulb ND 11-75W A60 B22 827	60 mm	110 mm

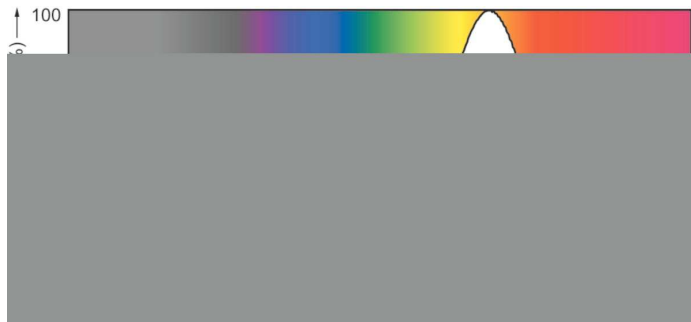
Photometric data



CorePro LEDbulb ND 11-75W A60



CorePro LEDbulb ND 11-75W A60



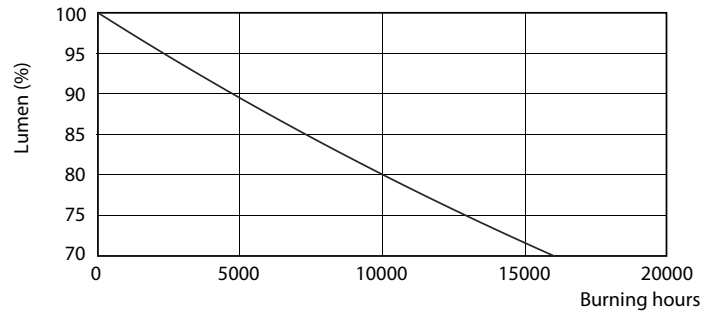
SDPO_LED Bulb_0021-Spectral Power distribution

CorePro LEDbulb

Lifetime



LEDbulb 100W E27 840 FR A60



LEDbulb 100W E27 840 FR A60

