



CorePro LEDbulb

CorePro LEDbulb ND 13-100W A60 B22 827

CorePro LEDbulbs are compatible with existing fixtures with an E27 or B22 holder and are designed for retrofit replacement of incandescent bulbs. They deliver huge energy savings and minimize maintenance cost.

Product data

| General information | |
|-------------------------|------------|
| Cap base | B22 [B22] |
| EU RoHS compliant | Yes |
| Nominal lifetime (nom.) | 15000 h |
| Switching cycle | 50000 |
| Technical type | 13-100W |
| | Sphere |
| Tier | CorePro |

| Light technical | |
|----------------------------------------|-----------------------|
| Colour Code | 827 [CCT of 2,700 K] |
| Beam Angle (Nom) | 200 ° |
| Luminous flux (nom.) | 1521 lm |
| Colour designation | Warm White (WW) |
| Correlated Colour Temperature (Nom) | 2700 K |
| Luminous efficacy (rated) (nom.) | 117.00 lm/W |
| Colour consistency | <6 |
| Colour rendering index (nom.) | 80 |
| LLMF at end of nominal lifetime (nom.) | 70 % |

| Operating and electrical | |
|--------------------------|-------------|
| Input frequency | 50 to 60 Hz |
| Power (Rated) (Nom) | 13 W |
| Lamp current (nom.) | 120 mA |

| | |
|----------------------------------|-----------|
| Wattage equivalent | 100 W |
| Starting time (nom.) | 0.5 s |
| Warm-up time to 60% light (nom.) | 0.5 s |
| Power factor (nom.) | 0.5 |
| Voltage (Nom) | 220-240 V |

| Temperature | |
|-----------------------|-------|
| T-Case maximum (nom.) | 85 °C |

| Controls and dimming | |
|----------------------|----|
| Dimmable | No |

| Mechanical and housing | |
|------------------------|---------------|
| Lamp Finish | Frosted |
| Bulb shape | A60 [A 60mm] |

| Approval and application | |
|------------------------------------|--------|
| Energy Efficiency Class | E |
| Energy consumption kWh/1,000 hours | 13 kWh |
| | 397624 |

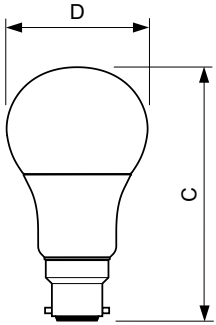
| Product data | |
|--------------------|----------------------------------------|
| Full product code | 871869651002500 |
| Order product name | CorePro LEDbulb ND 13-100W A60 B22 827 |

CorePro LEDbulb

| | |
|-----------------------------------|---------------|
| EAN/UPC – product | 8718696510025 |
| Order code | 51002500 |
| SAP numerator – quantity per pack | 1 |
| Numerator – packs per outer box | 10 |

| | |
|--------------------|--------------|
| SAP material | 929001234102 |
| Net Weight (Piece) | 0.076 kg |

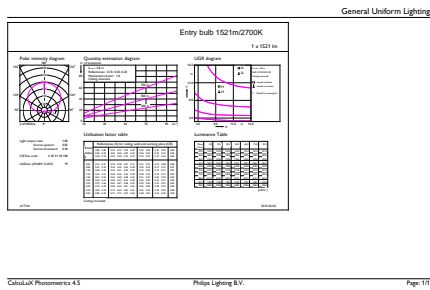
Dimensional drawing



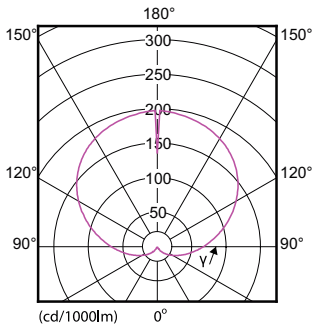
CorePro LEDbulb ND 13-100W A60 B22 827

| Product | D | C |
|----------------------------------------|-------|--------|
| CorePro LEDbulb ND 13-100W A60 B22 827 | 60 mm | 110 mm |

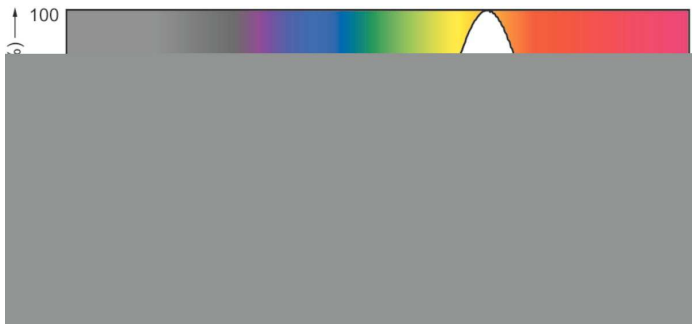
Photometric data



CorePro LEDbulb ND 13-100W A60



CorePro LEDbulb ND 13-100W A60



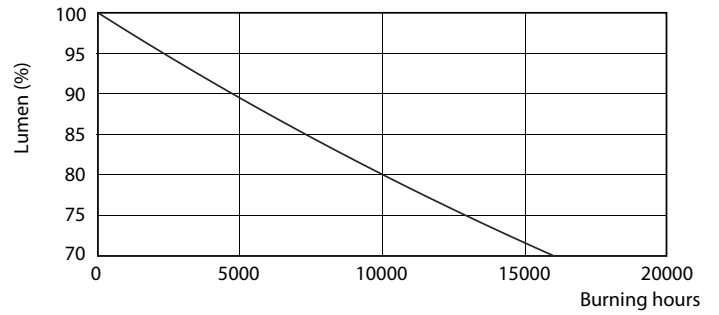
SDPO_LED Bulb_0021-Spectral Power distribution

CorePro LEDbulb

Lifetime



LEDbulb 100W E27 840 FR A60



LEDbulb 100W E27 840 FR A60

