



CorePro LEDbulb

CorePro LEDbulb ND 5.5-40W A60 E27 827

CorePro LEDbulbs are compatible with existing fixtures with an E27 or B22 holder and are designed for retrofit replacement of incandescent bulbs. They deliver huge energy savings and minimize maintenance cost.

Product data

General information	
Cap base	E27 [E27]
CE mark	Yes
EU RoHS compliant	Yes
Nominal lifetime (nom.)	15000 h
Switching cycle	50000
	Sphere
Tier	CorePro

Light technical	
Colour Code	827 [CCT of 2,700 K]
Beam Angle (Nom)	200 °
Luminous flux (nom.)	470 lm
Colour designation	Warm White (WW)
Correlated Colour Temperature (Nom)	2700 K
Luminous efficacy (rated) (nom.)	85.00 lm/W
Colour consistency	<6
Colour rendering index (nom.)	80
LLMF at end of nominal lifetime (nom.)	70 %

Operating and electrical	
Input frequency	50 to 60 Hz
Power (Rated) (Nom)	5.5 W
Lamp current (nom.)	55 mA

Wattage equivalent	40 W
Starting time (nom.)	0.5 s
Warm-up time to 60% light (nom.)	0.5 s
Power factor (nom.)	0.5
Voltage (Nom)	220-240 V

Temperature	
T-Case maximum (nom.)	75 °C

Controls and dimming	
Dimmable	No

Mechanical and housing	
Lamp Finish	Frosted
Bulb shape	A60 [A 60mm]

Approval and application	
Energy Efficiency Class	F
Energy consumption kWh/1,000 hours	6 kWh 397625

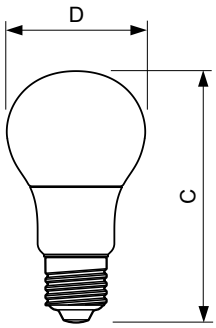
Product data	
Full product code	871869657757800
Order product name	CorePro LEDbulb ND 5.5-40W A60 E27 827

CorePro LEDbulb

EAN/UPC – product	8718696577578
Order code	57757800
SAP numerator – quantity per pack	1
Local code description	3700409
Numerator – packs per outer box	10

SAP material	929001234202
Net Weight (Piece)	0.076 kg

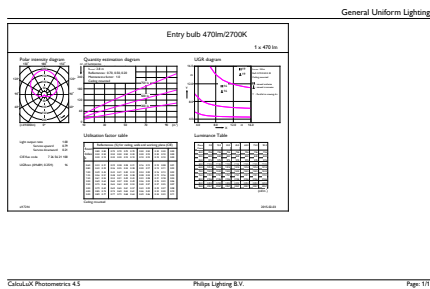
Dimensional drawing



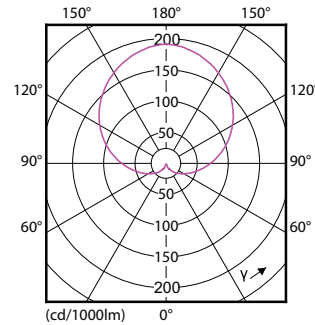
CorePro LEDbulb ND 5.5-40W A60 E27 827

Product	D	C
CorePro LEDbulb ND 5.5-40W A60 E27 827	60 mm	110 mm

Photometric data



CorePro LEDbulb ND 5.5-40W A60



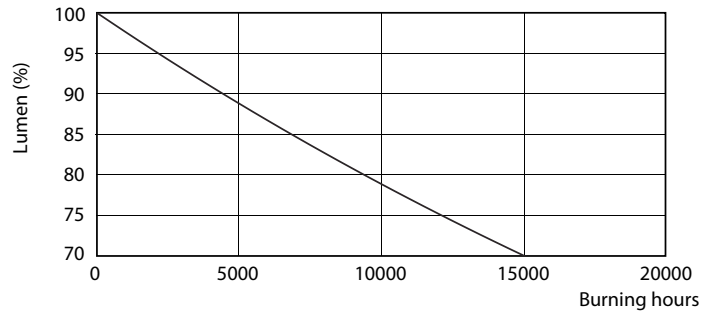
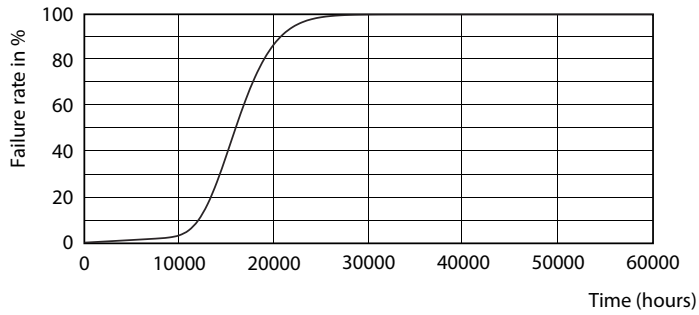
CorePro LEDbulb ND 5.5-40W A60



SDPO_LED Bulb_0021-Spectral Power distribution

CorePro LEDbulb

Lifetime



LEDbulb 40W E27 830 FR A60

LEDbulb 40W E27 830 FR A60

