



CorePro LEDbulb

CorePro LEDbulb ND 5-40W A60 E27 840

CorePro LEDbulbs are compatible with existing fixtures with an E27 or B22 holder and are designed for retrofit replacement of incandescent bulbs. They deliver huge energy savings and minimize maintenance cost.

Product data

General information	
Cap base	E27 [E27]
EU RoHS compliant	Yes
Nominal lifetime (nom.)	15000 h
Switching cycle	50,000X
Technical type	5-40W
	Sphere
Light technical	
Colour Code	841 [CCT of 4100K (841)]
Beam Angle (Nom)	200 °
Luminous flux (nom.)	470 lm
Colour designation	Cool White (CW)
Correlated Colour Temperature (Nom)	4000 K
Luminous efficacy (rated) (nom.)	94.00 lm/W
Colour consistency	<6
Colour rendering index (nom.)	80
LLMF at end of nominal lifetime (nom.)	70 %
Operating and electrical	
Input frequency	50 to 60 Hz
Power (Rated) (Nom)	5 W
Lamp current (nom.)	55 mA
Wattage equivalent	40 W

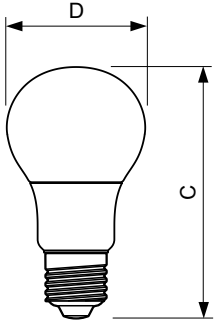
Starting time (nom.)	0.5 s
Warm-up time to 60% light (nom.)	0.5 s
Power factor (nom.)	0.5
Voltage (Nom)	220-240 V
Temperature	
T-Case maximum (nom.)	75 °C
Controls and dimming	
Dimmable	No
Mechanical and housing	
Lamp Finish	Frosted
Bulb shape	A60 [A 60mm]
Approval and application	
Energy Efficiency Class	F
Energy consumption kWh/1,000 hours	5 kWh
	397629
Product data	
Full product code	871869657779000
Order product name	CorePro LEDbulb ND 5-40W A60 E27 840
EAN/UPC – product	8718696577790

CorePro LEDbulb

Order code	57779000
SAP numerator – quantity per pack	1
Numerator – packs per outer box	10
SAP material	929001234602

Copy Net Weight (Piece)	0.080 kg
-------------------------	----------

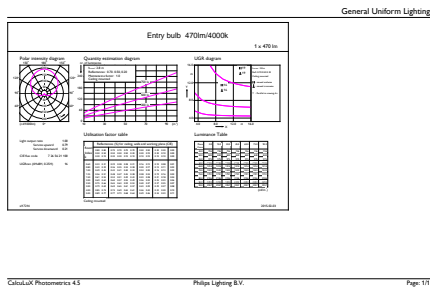
Dimensional drawing



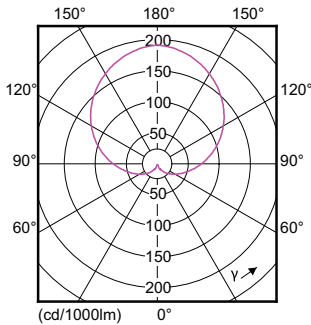
CorePro LEDbulb ND 5-40W A60 E27 840

Product	D	C
CorePro LEDbulb ND 5-40W A60 E27 840	60 mm	110 mm

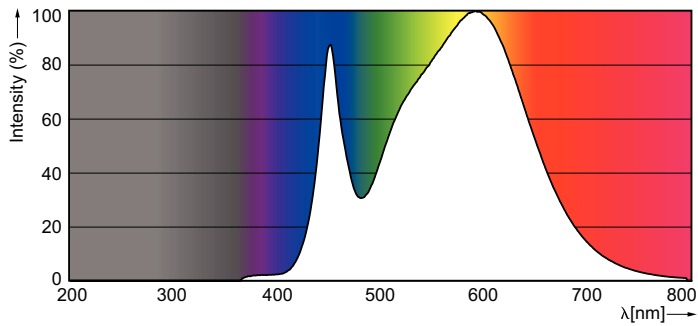
Photometric data



CorePro LEDbulb ND 5-40W A60 E27



CorePro LEDbulb ND 5-40W A60 E27

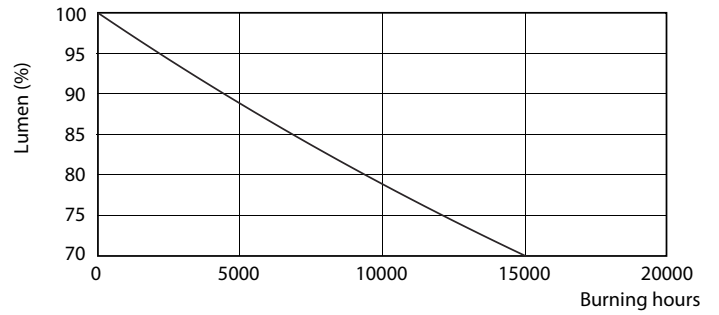


CorePro LEDbulb

Lifetime



LEDbulb 40W E27 830 FR A60



LEDbulb 40W E27 830 FR A60

