



CorePro LEDbulb



CorePro LEDbulb ND 5-40W A60 E27 840

LEDbulbs are compatible with existing fixtures with an E27 holder and are designed for retrofit replacement of incandescent bulbs.

Product data

General Information	
Cap base	E27 [E27]
Nominal lifetime	15,000 h
Switching Cycle	50,000
Lighting Technology	LED
Flux measurement reference	Sphere
CE mark	Yes
EU RoHS compliant	Yes

Light Technical	
Colour Code	840 [CCT of 4000K]
Beam angle (nom.)	200 degree(s)
Luminous Flux	470 lm
Colour designation	Cool White (CW)
Correlated Colour Temperature	4000 K
Luminous efficacy (rated) (nom.)	94.00 lm/W
Colour consistency	<6
Colour rendering index (CRI)	80
LLMF at end of nominal lifetime (nom.)	70 %

Operating and Electrical	
Line Frequency	50 to 60 Hz
Input frequency	50 to 60 Hz
Power Consumption	5 W
Lamp current (nom.)	55 mA

Wattage equivalent	40 W
Starting time (nom.)	0.5 s
Warm-up time to 60% light	0.5 s
Power Factor (Fraction)	0.5
Voltage (nom.)	220-240 V

Temperature	
T-Case maximum (nom.)	75 °C

Controls and Dimming	
Dimmable	No

Mechanical and Housing	
Lamp Finish	Frosted
Bulb shape	A60 [A 60 mm]

Approval and Application	
Energy Efficiency Class	F
Energy consumption kWh/1,000 hours	5 kWh
EPREL registration number	397629
EyeComfort	Yes

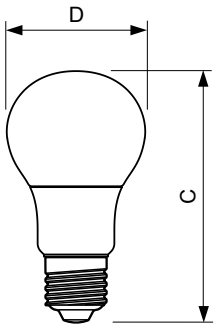
Product Data	
Order product name	CorePro LEDbulb ND 5-40W A60 E27 840
Full product name	CorePro LEDbulb ND 5-40W A60 E27 840

CorePro LEDbulb

Full EOC	871869657779000
Order code	57779000
Material no. (12 NC)	929001234602
SAP numerator – quantity per pack	1
EAN/UPC – Product/Case	8718696577790

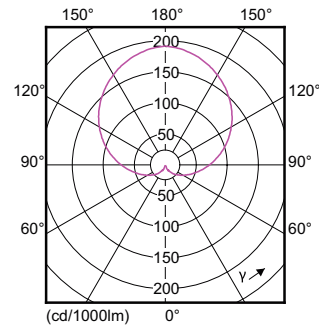
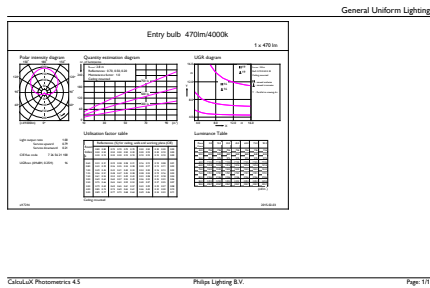
Numerator – packs per outer box	10
EAN/UPC – Case	8718696577806

Dimensional drawing



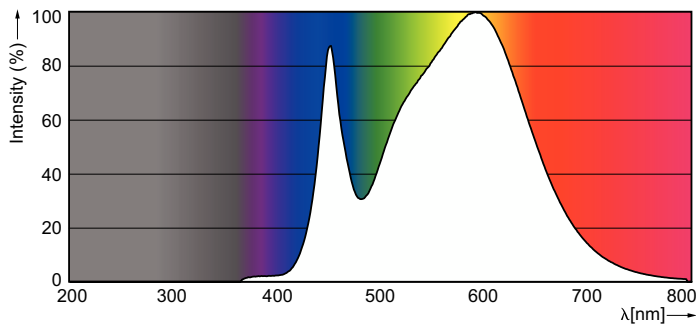
Product	D	C
CorePro LEDbulb ND 5-40W A60 E27 840	60 mm	110 mm

Photometric data



General uniform lighting - CorePro LEDbulb ND 5-40W A60 E27 840

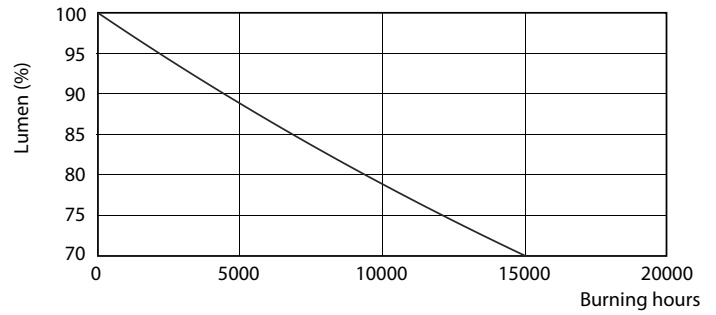
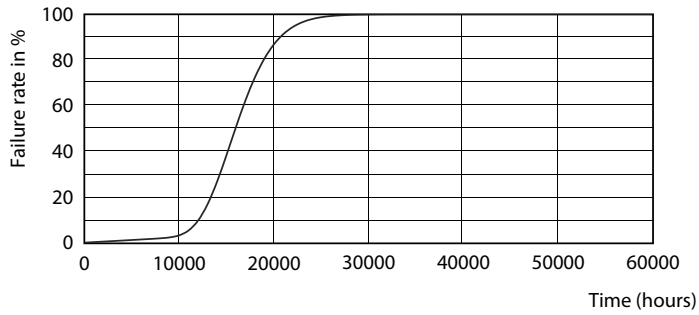
Light Distribution Diagram - CorePro LEDbulb ND 5-40W A60 E27 840



Spectral Power Distribution Colour - CorePro LEDbulb ND 5-40W A60 E27 840

CorePro LEDbulb

Lifetime



Life Expectancy Diagram - CorePro LEDbulb ND 5-40W A60 E27 840

Lumen Maintenance Diagram - CorePro LEDbulb ND 5-40W A60 E27 840

