



CorePro Plastic LEDbulbs

CorePro LEDbulb ND 10-75W A60 E27 840

CorePro LEDbulbs are compatible with existing fixtures with an E27 or B22 holder and are designed for retrofit replacement of incandescent bulbs. They deliver huge energy savings and minimize maintenance cost.

Product data

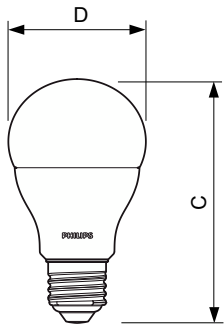
General Information		Power Consumption	
Cap-Base	E27 [E27]	Lamp Current (Nom)	10 W
Nominal lifetime	15,000 hour(s)	Wattage Equivalent	95 mA
Switching Cycle	50,000	Starting Time (Nom)	75 W
Lighting Technology	LED	Warm-up time to 60% light	0.5 s
Flux measurement reference	Sphere	Power Factor (Fraction)	0.5
		Voltage (Nom)	220-240 V
Light Technical		Temperature	
Color Code	840 [CCT of 4000K]	T-Case Maximum (Nom)	80 °C
Beam Angle (Nom)	200 degree(s)		
Luminous Flux	1,055 lumen	Controls and Dimming	
Color Designation	Cool White (CW)	Dimmable	No
Correlated Color Temperature (Nom)	4000 K	Mechanical and Housing	
Luminous Efficacy (rated) (Nom)	105.00 lm/W	Bulb Finish	Frosted
Color Consistency	<6	Bulb Shape	A60 [A 60mm]
Color rendering index (CRI)	80	Approval and Application	
LLMF At End Of Nominal Lifetime (Nom)	70 %	Energy Efficiency Class	F
		Energy Consumption kWh/1000 h	10 kWh
Operating and Electrical			
Line Frequency	50 to 60 Hz		
Input Frequency	50 to 60 Hz		

CorePro Plastic LEDbulbs

EPREL Registration Number	397,631
CE mark	Yes
EU RoHS compliant	Yes
Product Data	
Full product code	871869651032200
Order product name	CorePro LEDbulb ND 10-75W A60 E27 840
Order code	51032200

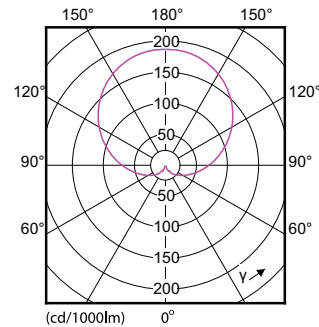
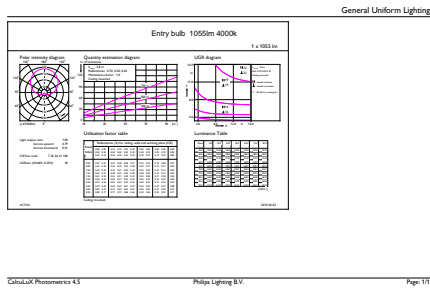
Numerator - Quantity Per Pack	1
Numerator - Packs per outer box	10
Material number (12NC)	929001234802
Full product name	CorePro LEDbulb ND 10-75W A60 E27 840
EAN/UPC - Case	8718696510339

Dimensional drawing

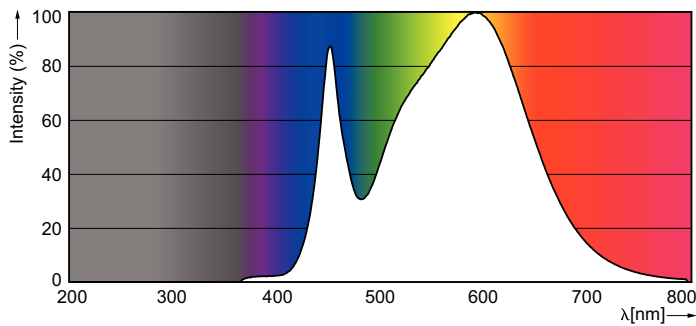


Product	D	C
CorePro LEDbulb ND 10-75W A60 E27 840	60 mm	110 mm

Photometric data



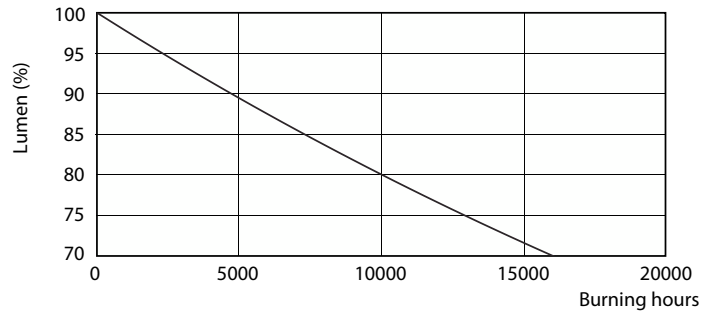
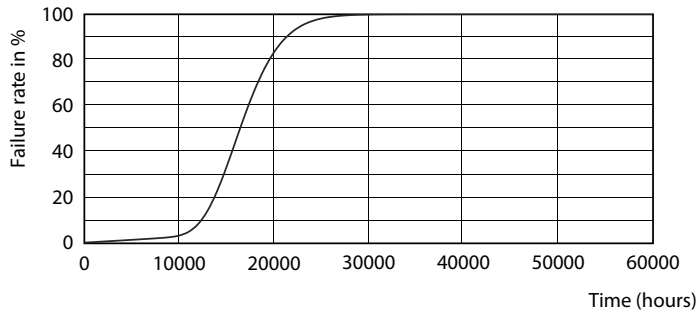
Light Distribution Diagram - CorePro LEDbulb ND 10-75W A60 E27 840



Spectral Power Distribution Colour - CorePro LEDbulb ND 10-75W A60 E27 840

CorePro Plastic LEDbulbs

Lifetime



Life Expectancy Diagram - CorePro LEDbulb ND 10-75W A60 E27 840

Lumen Maintenance Diagram - CorePro LEDbulb ND 10-75W A60 E27 840

