



# CorePro LEDbulb

## CorePro LEDbulb ND 10-75W A60 E27 840

LEDbulbs are compatible with existing fixtures with an E27 holder and are designed for retrofit replacement of incandescent bulbs.

### Product data

General Information	
Cap base	E27 [ E27]
RoHS mark	RoHS mark
Nominal lifetime (nom.)	15000 h
Switching cycle	50000X
Technical type	10-75W

Light Technical	
Colour code	840 [ CCT of 4,000 K]
Beam Angle (Nom)	200 °
Luminous flux (nom.)	1055 lm
Luminous flux (rated) (nom.)	1055 lm
Colour designation	Cool White (CW)
Correlated colour temperature (nom.)	4000 K
Luminous efficacy (rated) (nom.)	105.00 lm/W
Colour consistency	<6
Color rendering index (nom.)	80
LLMF at end of nominal lifetime (nom.)	70 %

Operating and Electrical	
Input frequency	50 to 60 Hz
Power (Rated) (Nom)	10 W
Lamp current (nom.)	95 mA
Wattage equivalent	75 W
Starting time (nom.)	0.5 s

Warm-up time to 60% light (nom.)	0.5 s
Power factor (nom.)	0.5
Voltage (Nom)	220-240 V

Temperature	
T-Case maximum (nom.)	80 °C

Controls and Dimming	
Dimmable	No

Mechanical and Housing	
Bulb finish	Frosted (FR)

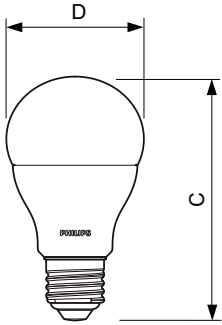
Approval and Application	
Energy efficiency label (EEL)	A+
Energy Consumption kWh/1000 h	10 kWh

Product Data	
Full product code	871869651032200
Order product name	CorePro LEDbulb ND 10-75W A60 E27 840
EAN/UPC – product	8718696510322
Order code	51032200
Numerator – quantity per pack	1
Numerator – packs per outer box	10
Material no. (12NC)	929001234802

# CorePro LEDbulb

Net weight (piece) 0.076 kg

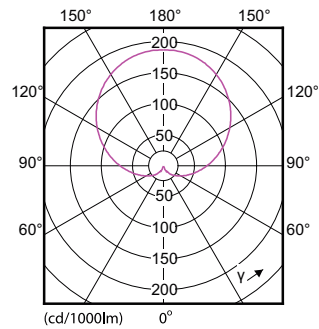
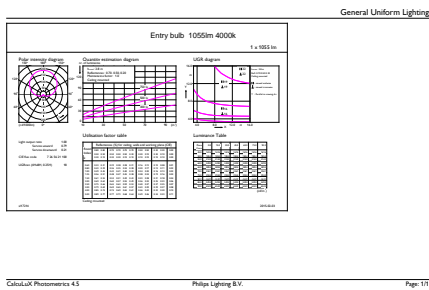
## Dimensional drawing



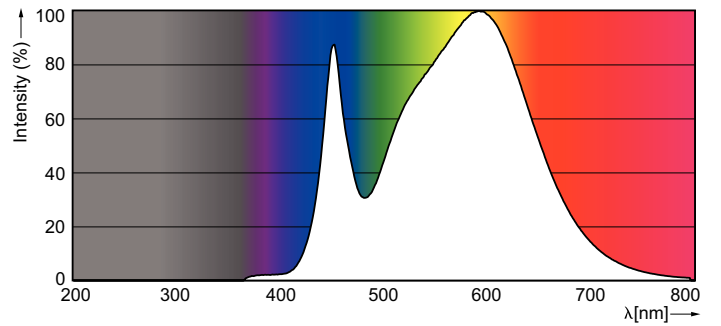
Entry bulb 230V 10.5W-75W 4000K E27 ND

Product	D	C
CorePro LEDbulb ND 10-75W A60 E27 840	60 mm	110 mm

## Photometric data

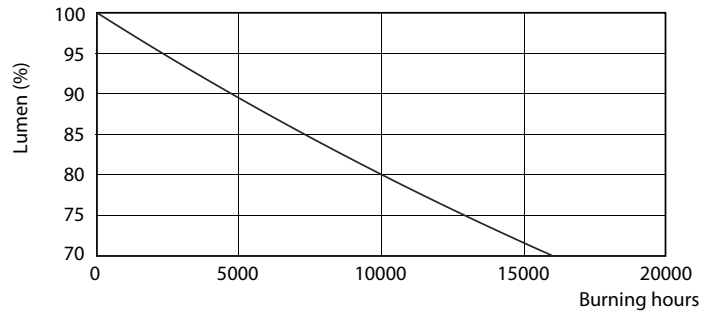


CorePro LEDbulb ND 10-75W A60



# CorePro LEDbulb

## Lifetime



LEDbulb 100W E27 840 FR A60

LEDbulb 100W E27 840 FR A60

