



# CorePro LEDbulb

## CorePro LEDbulb ND 13-100W A60 E27 865

CorePro LEDbulbs are compatible with existing fixtures with an E27 or B22 holder and are designed for retrofit replacement of incandescent bulbs. They deliver huge energy savings and minimize maintenance cost.

### Product data

General Information	
Cap base	E27 [ E27]
Nominal lifetime (nom.)	15000 h
Switching cycle	50000X
Technical type	13-100W

Light Technical	
Colour code	865 [ CCT of 6,500 K]
Beam Angle (Nom)	200 °
Luminous flux (nom.)	1521 lm
Luminous flux (rated) (nom.)	1521 lm
Colour designation	Cool Daylight
Correlated colour temperature (nom.)	6500 K
Luminous efficacy (rated) (nom.)	117.00 lm/W
Colour consistency	<6
Color rendering index (nom.)	80
LLMF at end of nominal lifetime (nom.)	70 %

Operating and Electrical	
Input frequency	50 to 60 Hz
Power (Rated) (Nom)	13 W
Lamp current (nom.)	120 mA
Starting time (nom.)	0.5 s
Warm-up time to 60% light (nom.)	0.5 s

Power factor (nom.)	0.5
Voltage (Nom)	220-240 V
Temperature	
T-Case maximum (nom.)	88 °C

Controls and Dimming	
Dimmable	No

Mechanical and Housing	
Bulb finish	Frosted (FR)

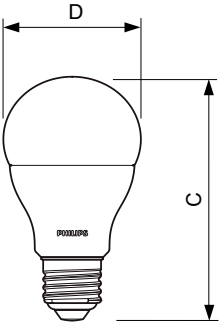
Approval and Application	
Energy efficiency label (EEL)	A+
Energy-saving product	Yes
Suitable for accent lighting	No
Energy Consumption kWh/1000 h	13 kWh

Product Data	
Full product code	871869657781300
Order product name	CorePro LEDbulb ND 13-100W A60 E27 865
EAN/UPC – product	8718696577813
Order code	57781300
Numerator – quantity per pack	1

# CorePro LEDbulb

Numerator – packs per outer box	10
Material no. (12NC)	929001235102
Net weight (piece)	0.076 kg

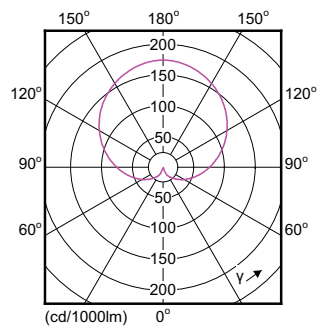
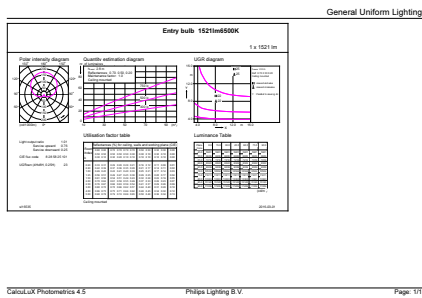
## Dimensional drawing



Entry Bulb 230V 13.5W-100W 6500K E27 ND

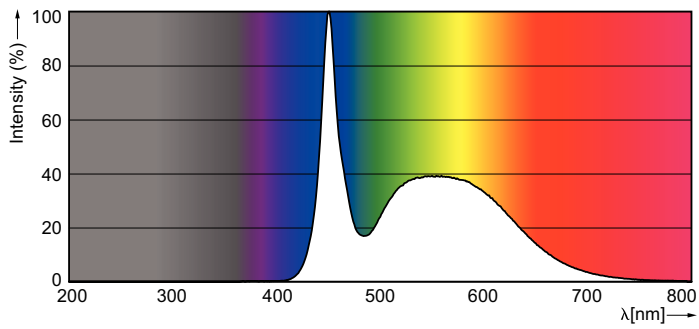
Product	D	C
CorePro LEDbulb ND 13-100W A60 E27 865	60 mm	110 mm

## Photometric data



CorePro LEDbulb ND 13-100W A60 865

CorePro LEDbulb ND 13-100W A60 865



## CorePro LEDbulb

