

# MASTER LEDtube EM/ Mains

## MAS LEDtube 600mm 9W 830 T8 RN

The Philips MASTER LEDtube integrates a LED light source into a traditional fluorescent form factor. Its unique design creates a perfectly uniform visual appearance which cannot be distinguished from traditional fluorescent. For those that are looking for value for money within limited budget and re-lamping efforts for better light effect and lifetime.

### Product data

General Information	
Cap base	G13 [ Medium Bi-Pin Fluorescent]
Main application	Industrial
Nominal lifetime (nom.)	50000 h
Switching cycle	200000X
B50L70	50000 h
Light Technical	
Colour code	830 [ CCT of 3,000 K]
Beam Angle (Nom)	160 °
Luminous flux (nom.)	1000 lm
Luminous flux (rated) (nom.)	1000 lm
Rated beam angle	160 °
Correlated colour temperature (nom.)	3000 K
Luminous efficacy (rated) (nom.)	111 lm/W
Colour consistency	<6
Color rendering index (nom.)	83
LLMF at end of nominal lifetime (nom.)	70 %

Operating and Electrical	
Input frequency	50 to 60 Hz
Power (Rated) (Nom)	9 W
Lamp current (max.)	43 mA
Lamp current (min.)	36 mA
Starting time (nom.)	0.5 s
Warm-up time to 60% light (nom.)	0.1 s
Power factor (nom.)	0.9
Voltage (Nom)	220-240 V
Temperature	
T ambient (max.)	35 °C
T ambient (min.)	-20 °C
T storage (max.)	65 °C
T storage (min.)	-40 °C
T-Case maximum (nom.)	55 °C
Controls and Dimming	
Dimmable	No

# MASTER LEDtube EM/Mains

## Mechanical and Housing

Product length	600 mm
<b>Approval and Application</b>	
Energy efficiency label (EEL)	A+
Energy-saving product	Yes
Suitable for accent lighting	No
Approval marks	CE marking KEMA Keur certificate RoHS compliance
Energy Consumption kWh/1000 h	9 kWh

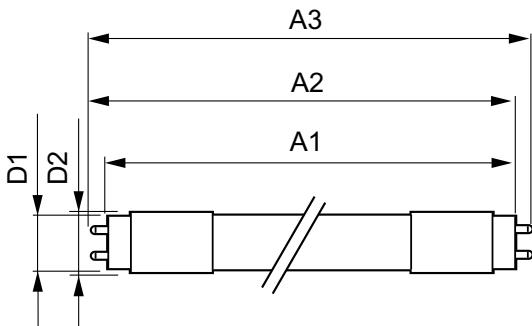
## Product Data

Full product code	871869657279500
Order product name	MAS LEDtube 600mm 9W 830 T8 RN
EAN/UPC – product	8718696572795
Order code	57279500
Numerator – quantity per pack	1
Numerator – packs per outer box	10
Material no. (12NC)	929001239402
Net weight (piece)	0.150 kg

## Warnings and Safety

· -

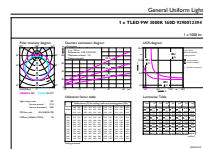
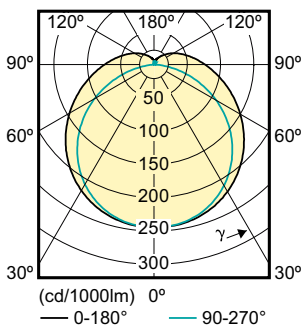
## Dimensional drawing



TLED 2ft 220-240V 9W-18W 3000K G13 ND

Product	D1	D2	A1	A2	A3
MAS LEDtube 600mm 9W 830 T8 RN	25.78 mm	28 mm	588.6 mm	595.7 mm	602.8 mm

## Photometric data



TLED 2ft 220-240V 9W-18W 3000K G13

# MASTER LEDtube EM/Mains

## Photometric data

