



# MASTER LEDspot ExpertColor LV

## MASTER LED ExpertColor LED MR16 ExpertColor 7.2-50W 930 10D

MASTER LEDspot LV ExpertColor creates a warm and comfortable ambience for hospitality venues, homes and restaurants. It creates such an ambience with superior lighting that has a customised spectrum, high CRI and deep dimming feature. The result? A beautiful lighting experience. What's more, the innovative, trimless lens design will suit almost any interior decor with its clean and neat look. In addition, you can take advantage of the full ExpertColor family, which also includes LEDspot MV and LEDspot Par lamps.

### Product data

General Information	
Cap base	GU5.3 [ GU5.3]
Nominal lifetime (nom.)	40000 h
Switching cycle	50000X
Technical type	7.2-50W
Light Technical	
Colour Code	930 [ CCT of 3,000 K]
Technical Beam Angle (Nom)	10 °
Lamp Luminous Flux 25°C EL (Nom)	480 lm
Lamp Luminous Flux (Nom)	480 lm
Luminous intensity (nom.)	5000 cd
Colour Designation	White (WH)
Rated beam angle	10 °
Colour Temperature, horizontal (Nom)	3000 K
Lamp Luminous Efficacy EM (Nom)	66.67 lm/W

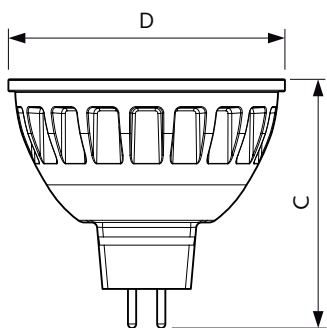
Colour consistency	<3
Colour Rendering Index,horiz (Nom)	97
LLMF at end of nominal lifetime (nom.)	70 %
Operating and Electrical	
Power (Rated) (Nom)	7.2 W
Lamp current (nom.)	800 mA
Wattage equivalent	50 W
Starting time (nom.)	0.5 s
Warm-up time to 60% light (nom.)	1 s
Power factor (nom.)	0.7
Voltage (Nom)	12 V
Temperature	
T-Case maximum (nom.)	92 °C

# MASTER LEDspot ExpertColor LV

Controls and Dimming	
Dimmable	Yes
Approval and Application	
Energy-saving product	Yes
Suitable for accent lighting	Yes
Product Data	
Full product code	871869657163700
Order product name	MASTER LED ExpertColor LED MR16 ExpertColor 7.2-50W 930 10D

EAN/UPC – product	8718696571637
Order code	929001242008
Local Code	MEC480LMR1610D
Numerator – quantity per pack	1
Numerator – packs per outer box	10
Material no. (12NC)	929001242008
Net weight (piece)	0.034 kg

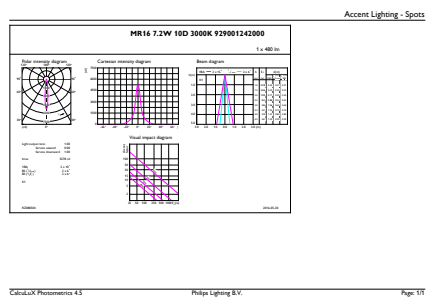
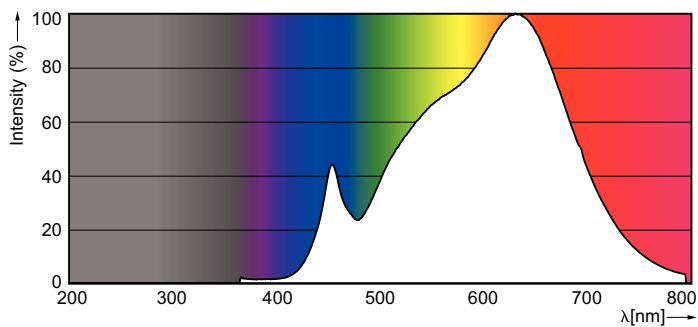
## Dimensional drawing



MR16 12V 7.2-50W 420lm 10D 3000K GU5.3 D

Product	D	C
MASTER LED ExpertColor LED MR16 ExpertColor 7.2-50W 930 10D	51 mm	46 mm

## Photometric data



MAS LED ExpertColor 7.2-50W MR16 GU5.3 930 10D

# MASTER LEDspot ExpertColor LV

## Photometric data

