



MASTER LEDspot ExpertColor LV

MASTER LED MR16 ExpertColor 7.2-50W 927 24D

MASTER LEDspot LV ExpertColor creates a warm and comfortable ambience for hospitality venues, homes and restaurants. It creates such an ambience with superior lighting that has a customized spectrum, high CRI, and deep dimming feature. The result? A beautiful lighting experience. What’s more, the innovative, trimless lens design will suit almost any interior decor with its clean and neat look. In addition, you can take advantage of the full ExpertColor family, which also includes LEDspot MV and LEDspot Par lamps.

Product data

General Information	
Cap-Base	GU5.3 [GU5.3]
Nominal lifetime	40,000 hour(s)
Switching Cycle	50,000
Lighting Technology	LED
EU RoHS compliant	Yes
Light Technical	
Color Code	927
Beam Angle (Nom)	24 degree(s)
Luminous Flux	450 lm
Luminous Intensity (Nom)	2,200 cd
Color Designation	Warm White (WW)
Correlated Color Temperature (Nom)	2700 K
Luminous Efficacy (rated) (Nom)	62.50 lm/W
Color Consistency	<3
Color rendering index (CRI)	97

LLMF At End Of Nominal Lifetime (Nom) 70 %	
Operating and Electrical	
Line Frequency	- Hz
Input Frequency	- Hz
Power Consumption	7.2 W
Lamp Current (Nom)	800 mA
Wattage Equivalent	50 W
Starting Time (Nom)	0.5 s
Warm-up time to 60% light	1 s
Power Factor (Fraction)	0.7
Voltage (Nom)	12 V
Temperature	
T-Case Maximum (Nom)	92 °C

MASTER LEDspot ExpertColor LV

Controls and Dimming

Dimmable	Yes
----------	-----

Mechanical and Housing

Bulb Shape	MR16 [2inch/50mm]
------------	-------------------

Approval and Application

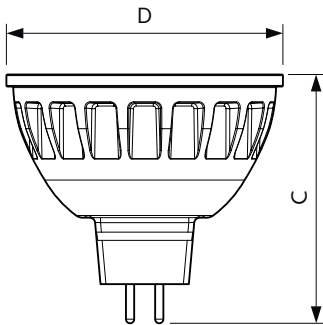
Energy Saving Product	Yes
Suitable For Accent Lighting	Yes
Energy Consumption kWh/1000 h	- kWh

Product Data

Order product name	MAS LED MR16 ExpertColor 7.2-50W 927 24D
--------------------	--

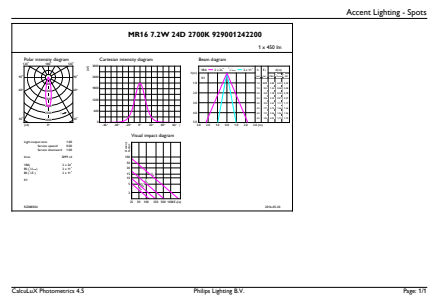
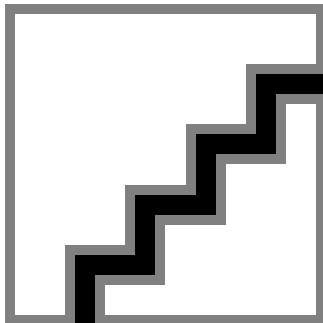
Full product name	MASTER LED MR16 ExpertColor 7.2-50W 927 24D
Full product code	871869657177400
Order code	57177400
Material Nr. (12NC)	929001242208
Numerator - Quantity Per Pack	1
EAN/UPC - Product/Case	8718696571774
Numerator - Packs per outer box	10
EAN/UPC - Case	8718696571781

Dimensional drawing



Product	D	C
MAS LED MR16 ExpertColor 7.2-50W 927 24D	51 mm	46 mm

Photometric data

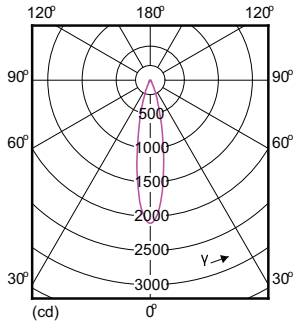


Spectral Power Distribution Colour - MAS LED MR16 ExpertColor 7.2-50W 927 24D

General uniform lighting - MAS LED MR16 ExpertColor 7.2-50W 927 24D

MASTER LEDspot ExpertColor LV

Photometric data



Light Distribution Diagram - MAS LED MR16 ExpertColor 7.2-50W 927 24D

