



MASTER LEDspot ExpertColor LV

MASTER LED ExpertColor LED MR16 ExpertColor 7.2-50W 940 36D

MASTER LEDspot LV ExpertColor creates a warm and comfortable ambience for hospitality venues, homes and restaurants. It creates such an ambience with superior lighting that has a customised spectrum, high CRI and deep dimming feature. The result? A beautiful lighting experience. What's more, the innovative, trimless lens design will suit almost any interior decor with its clean and neat look. In addition, you can take advantage of the full ExpertColor family, which also includes LEDspot MV and LEDspot Par lamps.

Product data

General Information	
Cap base	GU5.3 [GU5.3]
Nominal lifetime (nom.)	40000 h
Switching cycle	50000X
Technical type	7.2-50W
Light Technical	
Colour Code	940 [CCT of 4,000 K]
Technical Beam Angle (Nom)	36 °
Lamp Luminous Flux 25°C EL (Nom)	480 lm
Lamp Luminous Flux (Nom)	480 lm
Luminous intensity (nom.)	1450 cd
Colour Designation	Cool White (CW)
Rated beam angle	36 °
Colour Temperature, horizontal (Nom)	4000 K
Lamp Luminous Efficacy EM (Nom)	66.67 lm/W

Colour consistency	<3
Colour Rendering Index,horiz (Nom)	97
LLMF at end of nominal lifetime (nom.)	70 %
Operating and Electrical	
Power (Rated) (Nom)	7.2 W
Lamp current (nom.)	800 mA
Wattage equivalent	50 W
Starting time (nom.)	0.5 s
Warm-up time to 60% light (nom.)	1 s
Power factor (nom.)	0.7
Voltage (Nom)	12 V
Temperature	
T-Case maximum (nom.)	92 °C

MASTER LEDspot ExpertColor LV

Controls and Dimming

Dimmable Yes

Approval and Application

Energy-saving product Yes

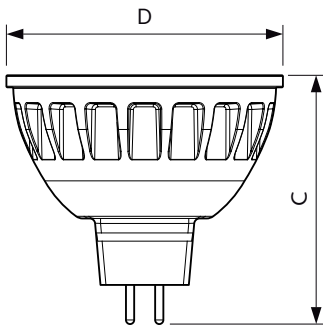
Suitable for accent lighting Yes

Product Data

Full product code 871869657187300
 Order product name MASTER LED ExpertColor LED MR16
 ExpertColor 7.2-50W 940 36D

EAN/UPC – product 8718696571873
 Order code 929001242708
 Local Code MEC510LMR1636D
 Numerator – quantity per pack 1
 Numerator – packs per outer box 10
 Material no. (12NC) 929001242708
 Net weight (piece) 0.034 kg

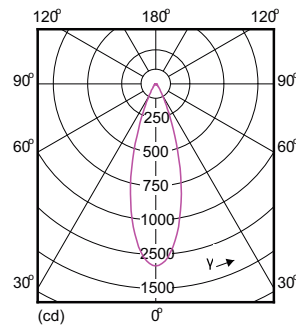
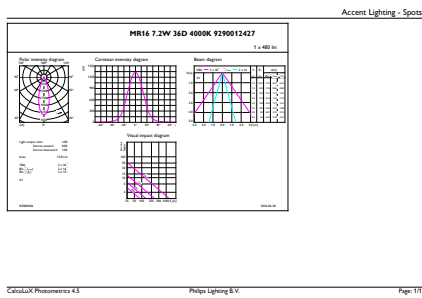
Dimensional drawing



MR16 12V 7.2-50W 420lm 36D 4000K GU5.3 D

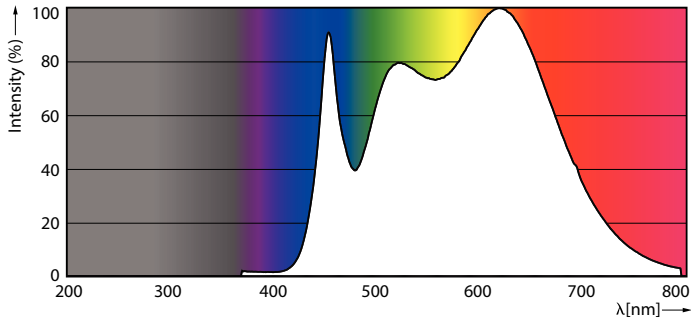
Product	D	C
MASTER LED ExpertColor LED MR16 ExpertColor 7.2-50W 940 36D	51 mm	46 mm

Photometric data



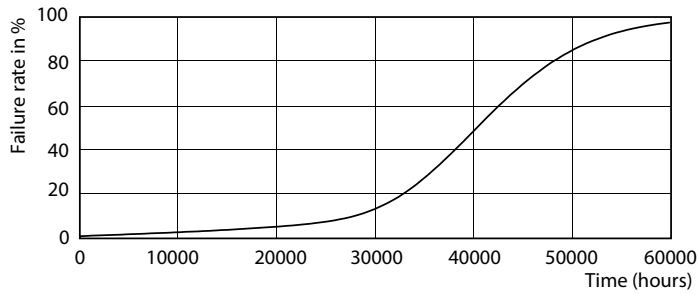
MASTER LEDspot ExpertColor LV

Photometric data

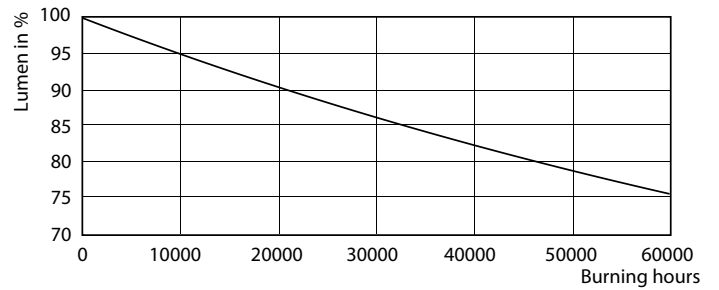


LEDspots MR16 7W 4000K

Lifetime



Master LEDspot ExpertColor LV 50W EZ10 927 10D



Master LEDspot ExpertColor LV 50W EZ10 927 10D

