



# Classic LED Lamps

## LED classic 60W A60 E27 WW FR ND 1CT/10

Lampa LED Deco Classic ma klasyczną konstrukcję i świeci eleganckim, dekoracyjnym światłem, a przy tym pozwala zmniejszyć koszty energii o około 90%.

### Dane produktu

Informacje podstawowe	
Trzonek	E27 [ E27]
Oznaczenie RoHS	RoHS mark
Trwałość nominalna (Nom)	15000 h
Cykl załączania	30000X
Dane techniczne	7-60W

Dane techniczne oświetlenia	
kod barwy	827 [ Tb 2700K]
Strumień świetlny (Nom)	806 lm
Strumień świetlny (znamionowy) (Nom)	806 lm
Oznaczenie koloru	ciepłobiała (WW)
Skorelowana temperatura barwowa (Nom)	2700 K
Skuteczność świetlna (znamionowa) (Nom)	115,00 lm/W
Jednorodność barw	<6
Wskaźnik oddawania barw (Nom)	80
Współczynnik zachowania strumienia świetlnego na zakończenie nominalnego okresu eksploatacji (Nom)	70 %

Eksploatacja i połączenie elektryczne	
Częstotliwość wejściowa	50 Hz
Power (Rated) (Nom)	7 W
Prąd lampy (Nom)	60 mA
Czas uruchomienia (Nom)	0,5 s

Czas rozgrzewania lampy do 60% (Nom)	0.5 s
Współczynnik mocy (Nom)	0.5
Napięcie (Nom)	220-240 V

Temperatura	
Maksymalna temperatura obudowy (Nom)	50 °C

Sterowniki i zmiana natężenia strumienia świetlnego	
Funkcja ściemniania	brak

Mechanika i korpus	
Wykończenie bańki	matowana (FR)

Certyfikaty i zastosowania	
Etykieta Efektywności Energetycznej (EEL)	A++
Zużycie energii elektrycznej w kWh/1000 h	7 kWh

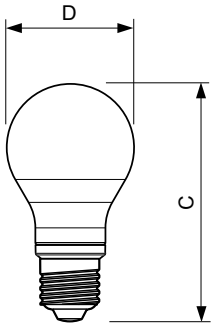
Dane techniczne produktu	
Pełny kod produktu	871869647218701
Nazwa produktu na zamówieniu	LED classic 60W A60 E27 WW FR ND 1CT/10
EAN/UPC - Produkt	8718696472187
Kod zamówienia	47218701
Numerator - Liczba sztuk w opakowaniu paczce	1

# Classic LED Lamps

Numerator – Liczba paczek w opakowaniu zewnętrznym	10
Materiał Nr (12NC)	929001243082

Waga netto (szt.)	0,040 kg
-------------------	----------

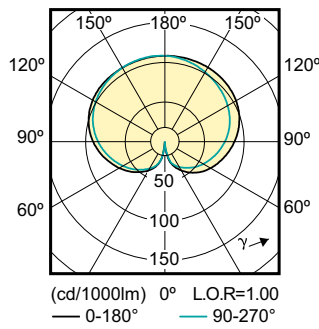
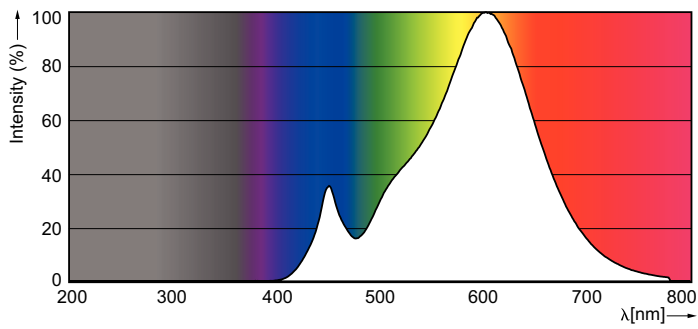
## Rysunki techniczne



Product	D	C
LED classic 60W A60 E27 WW FR ND 1CT/10	60 mm	110 mm

Bulb A60 220~240V 7W 806lm 2700K E27 ND

## Dane fotometryczne



INCA 60W 1xInca 230V AC																																																																																																																																																																																																																																	
1 x 806 lm																																																																																																																																																																																																																																	
<p>Photometric diagram</p>	<p>Quantity estimation diagram</p>																																																																																																																																																																																																																																
<p>Utilization factor table</p> <table border="1"> <thead> <tr> <th>Room height (m)</th> <th>Room width (m)</th> <th>Room length (m)</th> <th>Utilization factor</th> </tr> </thead> <tbody> <tr><td>2.7</td><td>3.0</td><td>3.0</td><td>0.48</td></tr> <tr><td>2.7</td><td>3.0</td><td>4.5</td><td>0.52</td></tr> <tr><td>2.7</td><td>3.0</td><td>6.0</td><td>0.55</td></tr> <tr><td>2.7</td><td>4.5</td><td>3.0</td><td>0.52</td></tr> <tr><td>2.7</td><td>4.5</td><td>4.5</td><td>0.55</td></tr> <tr><td>2.7</td><td>4.5</td><td>6.0</td><td>0.58</td></tr> <tr><td>2.7</td><td>6.0</td><td>3.0</td><td>0.55</td></tr> <tr><td>2.7</td><td>6.0</td><td>4.5</td><td>0.58</td></tr> <tr><td>2.7</td><td>6.0</td><td>6.0</td><td>0.60</td></tr> <tr><td>3.0</td><td>3.0</td><td>3.0</td><td>0.45</td></tr> <tr><td>3.0</td><td>3.0</td><td>4.5</td><td>0.48</td></tr> <tr><td>3.0</td><td>3.0</td><td>6.0</td><td>0.50</td></tr> <tr><td>3.0</td><td>4.5</td><td>3.0</td><td>0.48</td></tr> <tr><td>3.0</td><td>4.5</td><td>4.5</td><td>0.50</td></tr> <tr><td>3.0</td><td>4.5</td><td>6.0</td><td>0.52</td></tr> <tr><td>3.0</td><td>6.0</td><td>3.0</td><td>0.50</td></tr> <tr><td>3.0</td><td>6.0</td><td>4.5</td><td>0.52</td></tr> <tr><td>3.0</td><td>6.0</td><td>6.0</td><td>0.55</td></tr> <tr><td>3.6</td><td>3.0</td><td>3.0</td><td>0.40</td></tr> <tr><td>3.6</td><td>3.0</td><td>4.5</td><td>0.42</td></tr> <tr><td>3.6</td><td>3.0</td><td>6.0</td><td>0.45</td></tr> <tr><td>3.6</td><td>4.5</td><td>3.0</td><td>0.42</td></tr> <tr><td>3.6</td><td>4.5</td><td>4.5</td><td>0.45</td></tr> <tr><td>3.6</td><td>4.5</td><td>6.0</td><td>0.48</td></tr> <tr><td>3.6</td><td>6.0</td><td>3.0</td><td>0.45</td></tr> <tr><td>3.6</td><td>6.0</td><td>4.5</td><td>0.48</td></tr> <tr><td>3.6</td><td>6.0</td><td>6.0</td><td>0.50</td></tr> </tbody> </table>	Room height (m)	Room width (m)	Room length (m)	Utilization factor	2.7	3.0	3.0	0.48	2.7	3.0	4.5	0.52	2.7	3.0	6.0	0.55	2.7	4.5	3.0	0.52	2.7	4.5	4.5	0.55	2.7	4.5	6.0	0.58	2.7	6.0	3.0	0.55	2.7	6.0	4.5	0.58	2.7	6.0	6.0	0.60	3.0	3.0	3.0	0.45	3.0	3.0	4.5	0.48	3.0	3.0	6.0	0.50	3.0	4.5	3.0	0.48	3.0	4.5	4.5	0.50	3.0	4.5	6.0	0.52	3.0	6.0	3.0	0.50	3.0	6.0	4.5	0.52	3.0	6.0	6.0	0.55	3.6	3.0	3.0	0.40	3.6	3.0	4.5	0.42	3.6	3.0	6.0	0.45	3.6	4.5	3.0	0.42	3.6	4.5	4.5	0.45	3.6	4.5	6.0	0.48	3.6	6.0	3.0	0.45	3.6	6.0	4.5	0.48	3.6	6.0	6.0	0.50	<p>Luminance Table</p> <table border="1"> <thead> <tr> <th>Room height (m)</th> <th>Room width (m)</th> <th>Room length (m)</th> <th>Luminance (cd/m²)</th> </tr> </thead> <tbody> <tr><td>2.7</td><td>3.0</td><td>3.0</td><td>120</td></tr> <tr><td>2.7</td><td>3.0</td><td>4.5</td><td>130</td></tr> <tr><td>2.7</td><td>3.0</td><td>6.0</td><td>140</td></tr> <tr><td>2.7</td><td>4.5</td><td>3.0</td><td>130</td></tr> <tr><td>2.7</td><td>4.5</td><td>4.5</td><td>140</td></tr> <tr><td>2.7</td><td>4.5</td><td>6.0</td><td>150</td></tr> <tr><td>2.7</td><td>6.0</td><td>3.0</td><td>140</td></tr> <tr><td>2.7</td><td>6.0</td><td>4.5</td><td>150</td></tr> <tr><td>2.7</td><td>6.0</td><td>6.0</td><td>160</td></tr> <tr><td>3.0</td><td>3.0</td><td>3.0</td><td>100</td></tr> <tr><td>3.0</td><td>3.0</td><td>4.5</td><td>110</td></tr> <tr><td>3.0</td><td>3.0</td><td>6.0</td><td>120</td></tr> <tr><td>3.0</td><td>4.5</td><td>3.0</td><td>110</td></tr> <tr><td>3.0</td><td>4.5</td><td>4.5</td><td>120</td></tr> <tr><td>3.0</td><td>4.5</td><td>6.0</td><td>130</td></tr> <tr><td>3.0</td><td>6.0</td><td>3.0</td><td>120</td></tr> <tr><td>3.0</td><td>6.0</td><td>4.5</td><td>130</td></tr> <tr><td>3.0</td><td>6.0</td><td>6.0</td><td>140</td></tr> <tr><td>3.6</td><td>3.0</td><td>3.0</td><td>80</td></tr> <tr><td>3.6</td><td>3.0</td><td>4.5</td><td>90</td></tr> <tr><td>3.6</td><td>3.0</td><td>6.0</td><td>100</td></tr> <tr><td>3.6</td><td>4.5</td><td>3.0</td><td>90</td></tr> <tr><td>3.6</td><td>4.5</td><td>4.5</td><td>100</td></tr> <tr><td>3.6</td><td>4.5</td><td>6.0</td><td>110</td></tr> <tr><td>3.6</td><td>6.0</td><td>3.0</td><td>100</td></tr> <tr><td>3.6</td><td>6.0</td><td>4.5</td><td>110</td></tr> <tr><td>3.6</td><td>6.0</td><td>6.0</td><td>120</td></tr> </tbody> </table>	Room height (m)	Room width (m)	Room length (m)	Luminance (cd/m²)	2.7	3.0	3.0	120	2.7	3.0	4.5	130	2.7	3.0	6.0	140	2.7	4.5	3.0	130	2.7	4.5	4.5	140	2.7	4.5	6.0	150	2.7	6.0	3.0	140	2.7	6.0	4.5	150	2.7	6.0	6.0	160	3.0	3.0	3.0	100	3.0	3.0	4.5	110	3.0	3.0	6.0	120	3.0	4.5	3.0	110	3.0	4.5	4.5	120	3.0	4.5	6.0	130	3.0	6.0	3.0	120	3.0	6.0	4.5	130	3.0	6.0	6.0	140	3.6	3.0	3.0	80	3.6	3.0	4.5	90	3.6	3.0	6.0	100	3.6	4.5	3.0	90	3.6	4.5	4.5	100	3.6	4.5	6.0	110	3.6	6.0	3.0	100	3.6	6.0	4.5	110	3.6	6.0	6.0	120
Room height (m)	Room width (m)	Room length (m)	Utilization factor																																																																																																																																																																																																																														
2.7	3.0	3.0	0.48																																																																																																																																																																																																																														
2.7	3.0	4.5	0.52																																																																																																																																																																																																																														
2.7	3.0	6.0	0.55																																																																																																																																																																																																																														
2.7	4.5	3.0	0.52																																																																																																																																																																																																																														
2.7	4.5	4.5	0.55																																																																																																																																																																																																																														
2.7	4.5	6.0	0.58																																																																																																																																																																																																																														
2.7	6.0	3.0	0.55																																																																																																																																																																																																																														
2.7	6.0	4.5	0.58																																																																																																																																																																																																																														
2.7	6.0	6.0	0.60																																																																																																																																																																																																																														
3.0	3.0	3.0	0.45																																																																																																																																																																																																																														
3.0	3.0	4.5	0.48																																																																																																																																																																																																																														
3.0	3.0	6.0	0.50																																																																																																																																																																																																																														
3.0	4.5	3.0	0.48																																																																																																																																																																																																																														
3.0	4.5	4.5	0.50																																																																																																																																																																																																																														
3.0	4.5	6.0	0.52																																																																																																																																																																																																																														
3.0	6.0	3.0	0.50																																																																																																																																																																																																																														
3.0	6.0	4.5	0.52																																																																																																																																																																																																																														
3.0	6.0	6.0	0.55																																																																																																																																																																																																																														
3.6	3.0	3.0	0.40																																																																																																																																																																																																																														
3.6	3.0	4.5	0.42																																																																																																																																																																																																																														
3.6	3.0	6.0	0.45																																																																																																																																																																																																																														
3.6	4.5	3.0	0.42																																																																																																																																																																																																																														
3.6	4.5	4.5	0.45																																																																																																																																																																																																																														
3.6	4.5	6.0	0.48																																																																																																																																																																																																																														
3.6	6.0	3.0	0.45																																																																																																																																																																																																																														
3.6	6.0	4.5	0.48																																																																																																																																																																																																																														
3.6	6.0	6.0	0.50																																																																																																																																																																																																																														
Room height (m)	Room width (m)	Room length (m)	Luminance (cd/m²)																																																																																																																																																																																																																														
2.7	3.0	3.0	120																																																																																																																																																																																																																														
2.7	3.0	4.5	130																																																																																																																																																																																																																														
2.7	3.0	6.0	140																																																																																																																																																																																																																														
2.7	4.5	3.0	130																																																																																																																																																																																																																														
2.7	4.5	4.5	140																																																																																																																																																																																																																														
2.7	4.5	6.0	150																																																																																																																																																																																																																														
2.7	6.0	3.0	140																																																																																																																																																																																																																														
2.7	6.0	4.5	150																																																																																																																																																																																																																														
2.7	6.0	6.0	160																																																																																																																																																																																																																														
3.0	3.0	3.0	100																																																																																																																																																																																																																														
3.0	3.0	4.5	110																																																																																																																																																																																																																														
3.0	3.0	6.0	120																																																																																																																																																																																																																														
3.0	4.5	3.0	110																																																																																																																																																																																																																														
3.0	4.5	4.5	120																																																																																																																																																																																																																														
3.0	4.5	6.0	130																																																																																																																																																																																																																														
3.0	6.0	3.0	120																																																																																																																																																																																																																														
3.0	6.0	4.5	130																																																																																																																																																																																																																														
3.0	6.0	6.0	140																																																																																																																																																																																																																														
3.6	3.0	3.0	80																																																																																																																																																																																																																														
3.6	3.0	4.5	90																																																																																																																																																																																																																														
3.6	3.0	6.0	100																																																																																																																																																																																																																														
3.6	4.5	3.0	90																																																																																																																																																																																																																														
3.6	4.5	4.5	100																																																																																																																																																																																																																														
3.6	4.5	6.0	110																																																																																																																																																																																																																														
3.6	6.0	3.0	100																																																																																																																																																																																																																														
3.6	6.0	4.5	110																																																																																																																																																																																																																														
3.6	6.0	6.0	120																																																																																																																																																																																																																														

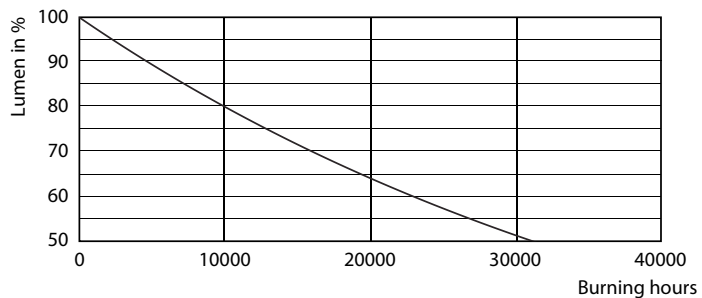
LED Lamps, LEDClassic 60W A60 E27 2700K 806lm FR

## Classic LED Lamps

### Okres eksploatacji



LEDbulb 60W E14 827 FR B38



LEDbulb 60W E14 827 FR B38

