



LED AR111

12AR111/LED/927/S8 DIM 12V FB 1PK 6/1

With an elegant new design, Philips MasterClass LED AR111 creates a brilliant visual effect. With excellent rendering of 90+ CRI and R9<gt/>50, colors stay vibrant and natural, enhancing the appeal of everything on display.

Product data

General Information	
Cap-Base	G53 [G53]
Nominal lifetime	40,000 hour(s)
Switching Cycle	50,000
Lighting Technology	LED
EU RoHS compliant	Yes
Light Technical	
Color Code	927
Beam Angle (Nom)	8 degree(s)
Luminous Flux	600 lm
Luminous Intensity (Nom)	7,800 cd
Color Designation	Warm White (WW)
Correlated Color Temperature (Nom)	2700 K
Luminous Efficacy (rated) (Nom)	50.00 lm/W
Color Consistency	<6
Color rendering index (CRI)	90
LLMF At End Of Nominal Lifetime (Nom)	70 %
Luminous Flux in 90° Cone (Rated)	600 lm
Operating and Electrical	
Line Frequency	- Hz
Input Frequency	- Hz
Power Consumption	11 W

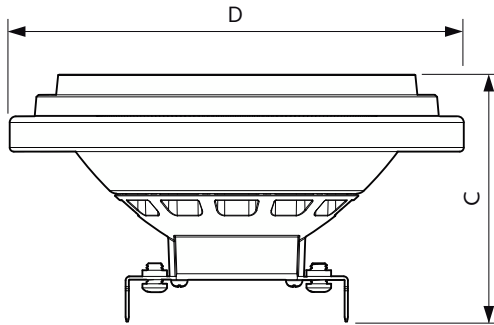
Lamp Current (Nom)	1,300 mA
Wattage Equivalent	50 W
Starting Time (Nom)	0.5 s
Warm-up time to 60% light	0.5 s
Power Factor (Fraction)	0.7
Voltage (Nom)	12 V
Temperature	
T-Case Maximum (Nom)	149 °F
Controls and Dimming	
Dimmable	Yes
Mechanical and Housing	
Bulb Shape	AR111
Approval and Application	
Energy Saving Product	Yes
Suitable For Accent Lighting	Yes
Energy Consumption kWh/1000 h	- kWh
Product Data	
Order product name	12AR111/LED/927/S8 DIM 12V FB 1PK 6/1
Full product name	12AR111/LED/927/S8 DIM 12V FB 1PK 6/1

LED AR111

Order code	463778
Material Nr. (12NC)	929001243904
Numerator - Quantity Per Pack	1
EAN/UPC - Product/Case	046677463779

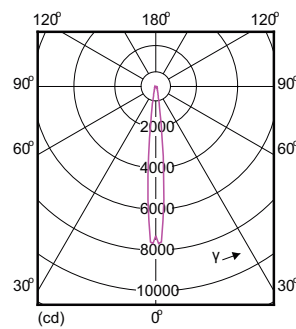
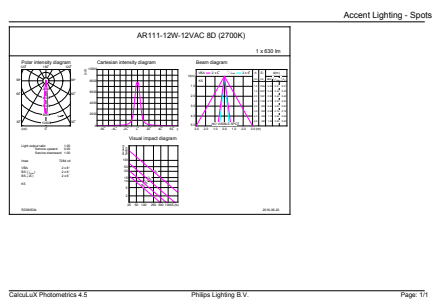
Numerator - Packs per outer box	6
EAN/UPC - Case	50046677463774

Dimensional drawing



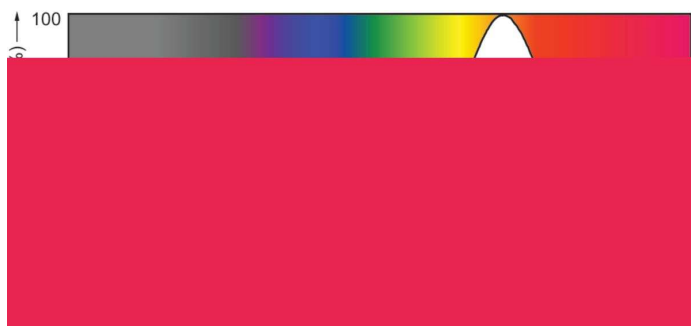
Product	D	C
12AR111/LED/927/S8 DIM 12V FB 1PK 6/1	4-3/8 inch	2-1/2 inch

Photometric data



General uniform lighting - 12AR111/LED/927/S8 DIM 12V FB 1PK 6/1

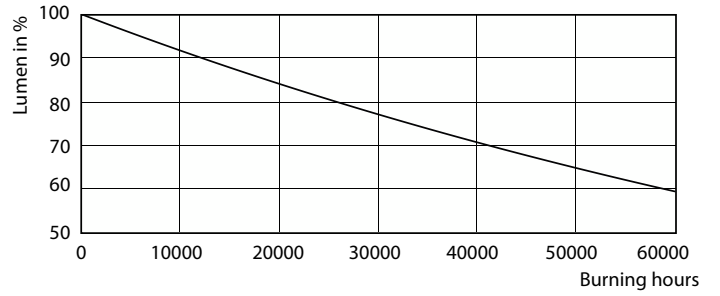
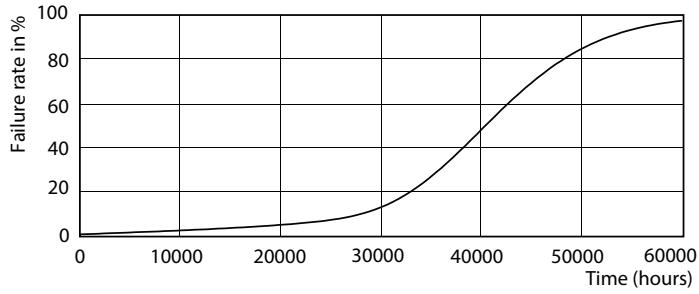
Light Distribution Diagram - 12AR111/LED/927/S8 DIM 12V FB 1PK 6/1



Spectral Power Distribution Colour - 12AR111/LED/927/S8 DIM 12V FB 1PK 6/1

LED AR111

Lifetime



Life Expectancy Diagram - 12AR111/LED/927/S8 DIM 12V FB 1PK 6/1

Lumen Maintenance Diagram - 12AR111/LED/927/S8 DIM 12V FB 1PK 6/1

