



CorePro LEDtube InstantFit HF

CorePro LEDtube HF 1500mm 20W840 T8 G

CorePro LEDtube InstantFit HF is an affordable LED solution suitable for replacing T8 fluorescent lamps. It provides a natural lighting effect for use in general lighting applications, as well as instant energy savings – an environmentally friendly solution.

Product data

General Information	
Cap-Base	G13 [Medium Bi-Pin Fluorescent]
Nominal lifetime	30,000 hour(s)
Switching Cycle	50,000
Lighting Technology	LED
EU RoHS compliant	Yes

Light Technical	
Color Code	840 [CCT of 4000K]
Beam Angle (Nom)	240 degree(s)
Luminous Flux	2,000 lm
Color Designation	Cool White (CW)
Correlated Color Temperature (Nom)	4000 K
Luminous Efficacy (rated) (Nom)	100 lm/W
Color Consistency	<6
Color rendering index (CRI)	83
LLMF At End Of Nominal Lifetime (Nom)	70 %

Operating and Electrical	
Line Frequency	20000-75000 Hz

Input Frequency	20000-75000 Hz
Power Consumption	20 W
Lamp Current (Max)	700 mA
Lamp Current (Min)	200 mA
Starting Time (Nom)	0.5 s
Warm-up time to 60% light	0.5 s
Power Factor (Fraction)	0.9
Voltage (Nom)	30-80 V

Temperature	
Ambient temperature range	-20 °C to 45 °C
T-Case Maximum (Nom)	55 °C

Controls and Dimming	
Dimmable	No

Mechanical and Housing	
Product Length	1,500 mm

CorePro LEDtube InstantFit HF

Approval and Application

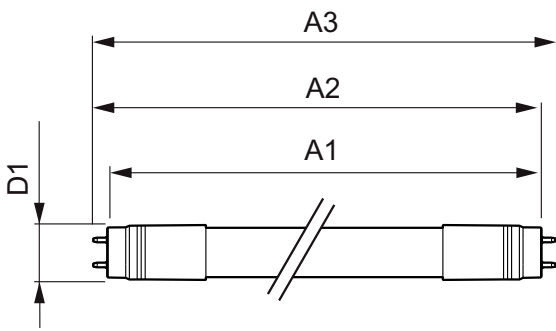
Energy Saving Product	Yes
Suitable For Accent Lighting	No
Approval Marks	TUV CE marking RoHS compliance KEMA Keur certificate
Energy Consumption kWh/1000 h	25 kWh

Product Data

Order product name	CorePro LEDtube HF 1500mm 20W840 T8 G
Full product name	CorePro LEDtube HF 1500mm 20W840 T8 G

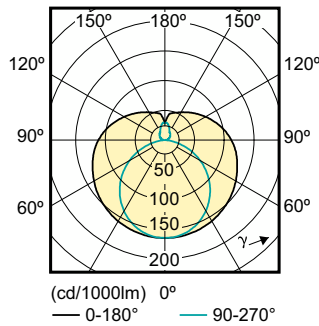
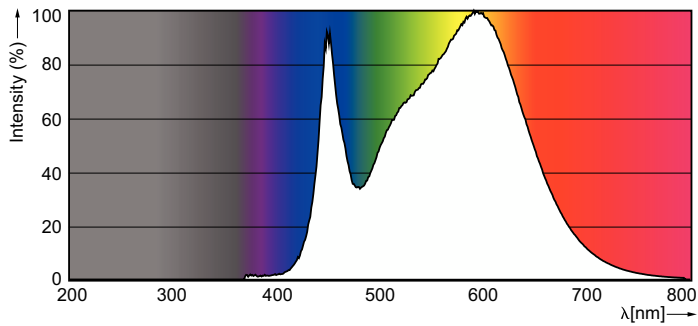
Full product code	871869659203800
Order code	59203800
Material Nr. (12NC)	929001249702
Numerator - Quantity Per Pack	1
EAN/UPC - Product/Case	8718696592038
Numerator - Packs per outer box	10
EAN/UPC - Case	8718696592045

Dimensional drawing



Product	D	A1	A2	A3
CorePro LEDtube HF 1500mm 20W840 T8 G	27.9 mm	1,500 mm	1,505.9 mm	1,514.2 mm

Photometric data

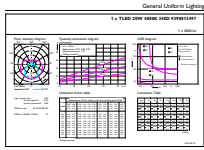


Spectral Power Distribution Colour - CorePro LEDtube HF 1500mm 20W840 T8 G

Light Distribution Diagram - CorePro LEDtube HF 1500mm 20W840 T8 G

CorePro LEDtube InstantFit HF

Photometric data



General Uniform Lighting
Table 1: Beam spread data
Table 2: Light distribution data
Page 17

General uniform lighting - CorePro LEDtube HF 1500mm 20W840 T8 G

