



# A-Shape LED

## 9.5A19/LED/827-50-22/ND SSCC 120V 6/1

Philips A-shape Dimmable LED lamps are the smart LED alternative to standard incandescents. The unique lamp design provides omi-directional light with excellent dimming performance.

### Product data

General Information	
Base	E26 [ Single Contact Medium Screw]
Nominal Lifetime (Nom)	15000 h
Switching Cycle	100000X
Technical Type	9.5-60W

Light Technical	
Color Code	827/850/822 [ CCT of 2700K/5000K/2200K]
Initial lumen (Nom)	800 lm
Luminous Flux Setting(s)	800 lm
Luminous Flux (Rated) Setting(s)	800 lm
Correlated Color Temperature Setting(s)	2700/5000/2200 K
Luminous Efficacy (rated) (Nom)	84 lm/W
Color Consistency	<6
Color Rendering Index (Nom)	80
LLMF At End Of Nominal Lifetime (Nom)	70 %

Operating and Electrical	
Input Frequency	60 Hz
Power (Rated) (Nom)	9.5 W
Power (Rated) Setting(s)	9.5 W
Lamp Current (Nom)	130 mA
Wattage Equivalent	60 W
Starting Time (Nom)	0.5 s

Warm Up Time to 60% Light (Nom)	0.5 s
Power Factor (Nom)	0.62
Voltage (Nom)	120 V

Temperature	
T-Case Maximum (Nom)	89 °C

Controls and Dimming	
Dimmable	No

Mechanical and Housing	
Bulb Finish	Frosted (FR)

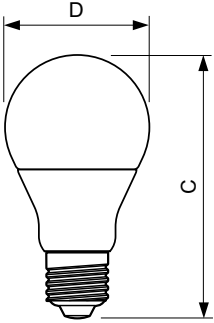
Approval and Application	
Energy Efficiency Label (EEL)	Not applicable
Suitable For Accent Lighting	No
Energy Consumption kWh/1000 h	9.5-8-3 kWh

Product Data	
Order product name	9.5A19/LED/827-50-22/ND SSCC 120V
EAN/UPC - Product	046677464950
Order code	464957
Numerator - Quantity Per Pack	1
Numerator - Packs per outer box	6

# A-Shape LED

Material Nr. (12NC)	929001263204
Net Weight (Piece)	0.084 kg

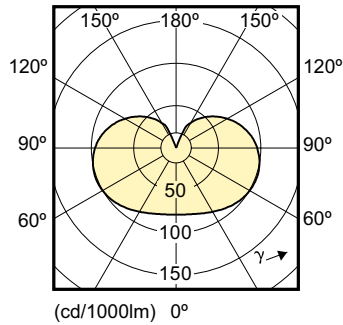
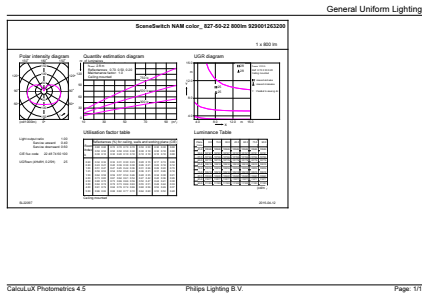
## Dimensional drawing



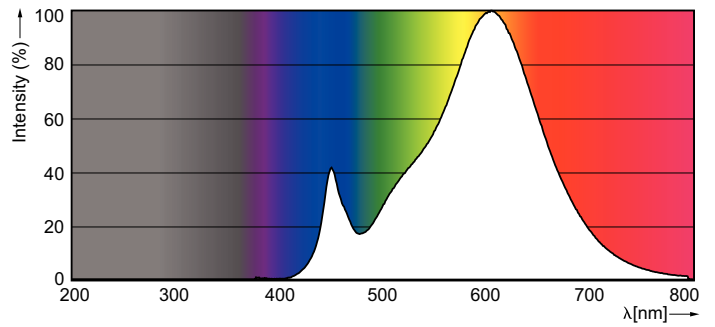
Scene Switch Bulb A19 120V 9.5W-60W ND

Product	D	C
9.5A19/LED/827-50-22/ND SSCC 120V	61.0 mm	111 mm

## Photometric data



LEDLamps, Scene Switch Bulb 9.5W-60W A19 120V ND



# A-Shape LED

## Photometric data

