



MASTER LEDspot LV

LED MR16 3-50W 36D 830

Delivering intense accent beam, MASTER LEDspot LV is an ideal retrofit solution for spot lighting. MASTER LEDspot LV is designed to replace halogen or incandescent spots. It realizes natural colors, enables cozy and comfortable ambience for residential, hospitality and emphasizes the beauty of merchandise in retail. New smaller housing provides perfect fitting with majority of luminaires in a market with a MR16 GU 5.3 holder. It not only employs Philips' patented solution to guarantee the broadest possible compatibility with standard 12V halogen electronic transformers, it also delivers high beam intensity which is equivalent to halogen MR16 spots. The dimming function enables to create the desired atmosphere and it works with broad selection of dimmers. Its high SDCM ensure stricter color consistency, that is maintained over product life. MASTER LEDspot LV delivers huge energy savings and minimizes maintenance cost without any compromise on light quality and lifetime, enabling residential and business owners to achieve a return on their investment within short period time.

Product data

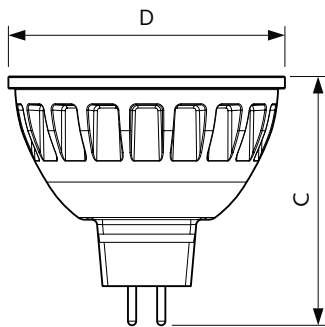
General Information		Operating and Electrical	
Cap-Base	GU5.3 [GU5.3]	Rated Beam Angle	36 °
Nominal Lifetime (Nom)	25000 h	Correlated Color Temperature (Nom)	3000 K
Switching Cycle	50000X	Luminous Efficacy (rated) (Nom)	133.33 lm/W
Technical Type	3-50W	Color Consistency	<6
		Color Rendering Index (Nom)	80
		LLMF At End Of Nominal Lifetime (Nom)	70 %
Light Technical			
Color Code	830 [CCT of 3000K]	Input Frequency	50 to 60 Hz
Beam Angle (Nom)	36 °	Power (Rated) (Nom)	3 W
Luminous Flux (Nom)	400 lm	Lamp Current (Nom)	500 mA
Luminous Flux (Rated) (Nom)	400 lm	Wattage Equivalent	50 W
Luminous Intensity (Nom)	800 cd	Starting Time (Nom)	0.5 s
Color Designation	White (WH)		

MASTER LEDspot LV

Warm Up Time to 60% Light (Nom)	1 s
Power Factor (Nom)	0.6
Voltage (Nom)	12 V
Temperature	
T-Case Maximum (Nom)	52 °C
Controls and Dimming	
Dimmable	No
Approval and Application	
Suitable For Accent Lighting	Yes

Product Data	
Full product code	871869667058300
Order product name	LED MR16 3-50W 36D 830
EAN/UPC - Product	8718696670583
Order code	929001275097
Numerator - Quantity Per Pack	1
Numerator - Packs per outer box	10
Material Nr. (12NC)	929001275097
Net Weight (Piece)	0.034 kg

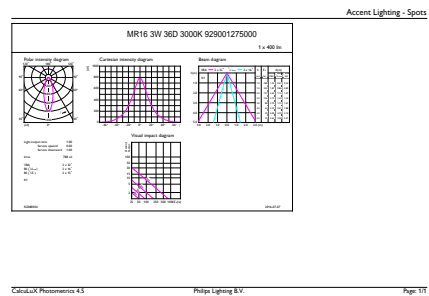
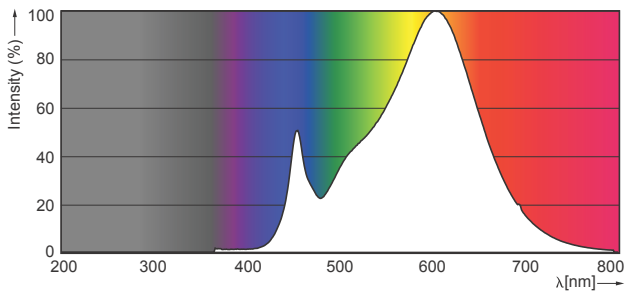
Dimensional drawing



LED MR16 3-50W 36D 830

Product	D	C
LED MR16 3-50W 36D 830	51 mm	46 mm

Photometric data



LED 3-50W MR16 GU5.3 830 400lm 36D

MASTER LEDspot LV

Photometric data

