



PAR30S LED Single Optic Lamps with AirFlux Technology

12PAR30S/EC RETAIL/F40/930/DIM 6/1

Philips PAR30S LED Single Optic Lamps with AirFlux Technology provide superior lighting aesthetics and optimal thermal efficiency in a sleek, lightweight design.

Product data

General Information	
Cap-Base	E26 [Single Contact Medium Screw]
Nominal Lifetime (Nom)	25000 h
Switching Cycle	50000X
Technical Type	12-75W
Light Technical	
Color Code	930 [CCT of 3000K]
Beam Angle (Nom)	40 °
Luminous Flux (Nom)	880 lm
Luminous Flux (Rated) (Nom)	880 lm
Luminous Intensity (Nom)	2000 cd
Color Designation	White (WH)
Rated Beam Angle	40 °
Correlated Color Temperature (Nom)	3000 K
Luminous Efficacy (rated) (Nom)	73 lm/W
Color Consistency	<6
Color Rendering Index (Nom)	90
LLMF At End Of Nominal Lifetime (Nom)	70 %

Operating and Electrical	
Input Frequency	60 Hz
Power (Rated) (Nom)	12 W
Lamp Current (Nom)	120 mA
Wattage Equivalent	75 W
Starting Time (Nom)	0.5 s
Warm Up Time to 60% Light (Nom)	0.5 s
Power Factor (Nom)	0.9
Voltage (Nom)	120 V
Temperature	
T-Case Maximum (Nom)	90 °C
Controls and Dimming	
Dimmable	Yes
Approval and Application	
Suitable For Accent Lighting	Yes

PAR30S LED Single Optic Lamps with AirFlux Technology

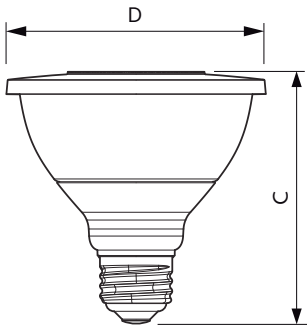
Product Data	
Order product name	12PAR30S/EXPERTCOLOR RETAIL/ F40/930/DIM
EAN/UPC - Product	046677471088
Order code	471086
Numerator - Quantity Per Pack	1

Numerator - Packs per outer box	6
Material Nr. (12NC)	929001286104
Net Weight (Piece)	0.220 kg

Warnings and Safety

- Suitable for use in damp locations.
- Not for use in totally enclosed luminaires.
- Before replacing, turn off power and let lamp cool to avoid electrical shock or burn.
- CAUTION: Risk of electric shock— do not use where directly exposed to water
- NOTES: This device complies with Part 18 of the FCC rule. This product may cause interference with other devices. If interference occurs, change the location of the products involved. This RFLD device complies with Canadian ICES-005.

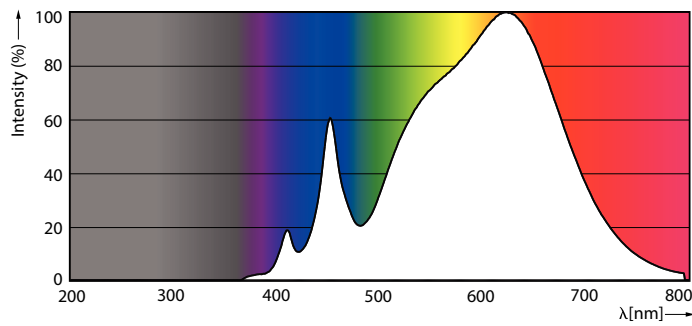
Dimensional drawing



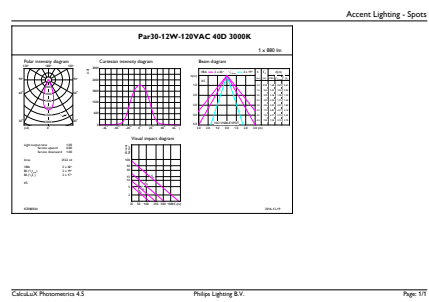
PAR30S 120V 12-75W 900lm 40D 3000K E26 D

Product	D	C
12PAR30S/EXPERTCOLOR RETAIL/F40/930/DIM	94.8 mm	93.1 mm

Photometric data



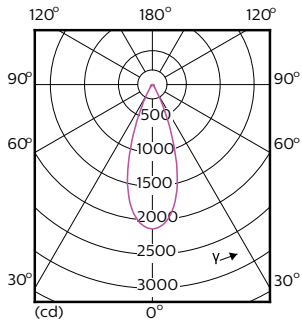
PAR38 120V 17-90W 1200lm 8D 3000K E26 D



PAR30S 120V 12-75W 900lm 40D 3000K E26 D

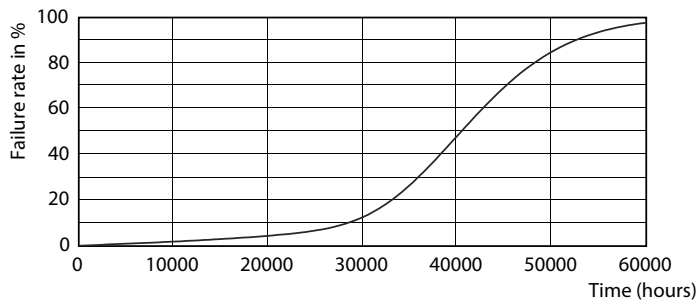
PAR30S LED Single Optic Lamps with AirFlux Technology

Photometric data

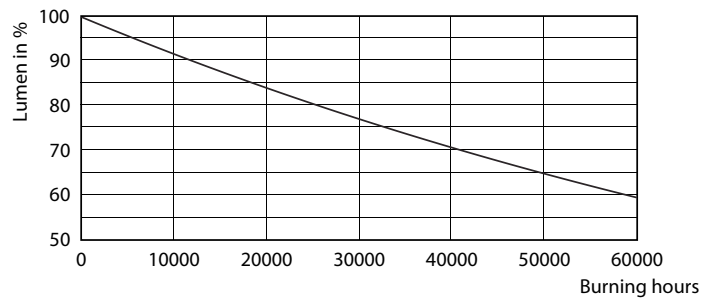


PAR30S 120V 12-75W 900lm 40D 3000K E26 D

Lifetime



ExpertColor PAR38 30S 30L Dim 120V Life Expectancy Diagram



ExpertColor PAR38 30S 30L Dim 120V Lumen Maintenance Diagram

