



LED PAR30 S/L

12PAR30S/EXPERTCOLOR RETAIL/F40/930/DIM

Philips LED spots with a single optic beam, provide a clean beam that's free from shadows with beam angles from 15 and 40 degrees to suit every general lighting application.

Product data

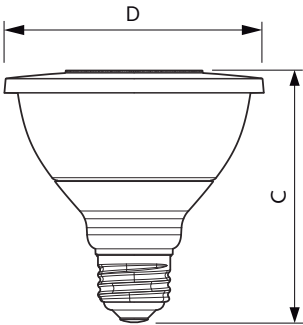
General Information	
Cap-Base	E26 [Single Contact Medium Screw]
EU RoHS compliant	Yes
Nominal Lifetime (Nom)	25000 h
Switching Cycle	50000X
Technical Type	12-75W
Light Technical	
Color Code	930 [CCT of 3000K]
Beam Angle (Nom)	40 °
Luminous Flux (Nom)	880 lm
Luminous Intensity (Nom)	2000 cd
Color Designation	White (WH)
Correlated Color Temperature (Nom)	3000 K
Luminous Efficacy (rated) (Nom)	73 lm/W
Color Consistency	<6
Color Rendering Index (Nom)	90
LLMF At End Of Nominal Lifetime (Nom)	70 %
Operating and Electrical	
Input Frequency	60 Hz
Power (Nom)	12 W
Lamp Current (Nom)	120 mA
Wattage Equivalent	75 W

Starting Time (Nom)	0.5 s
Warm Up Time to 60% Light (Nom)	0.5 s
Power Factor (Nom)	0.9
Voltage (Nom)	120 V
Temperature	
T-Case Maximum (Nom)	90 °C
Controls and Dimming	
Dimmable	Yes
Approval and Application	
Energy Efficiency Label (EEL)	Not applicable
Suitable For Accent Lighting	Yes
Energy Consumption kWh/1000 h	- kWh
Product Data	
Order product name	12PAR30S/EXPERTCOLOR RETAIL/ F40/930/DIM
EAN/UPC - Product	046677471088
Order code	929001286104
Numerator - Quantity Per Pack	1
Numerator - Packs per outer box	6
Material Nr. (12NC)	929001286104

LED PAR30 S/L

Net Weight (Piece) 0.220 kg

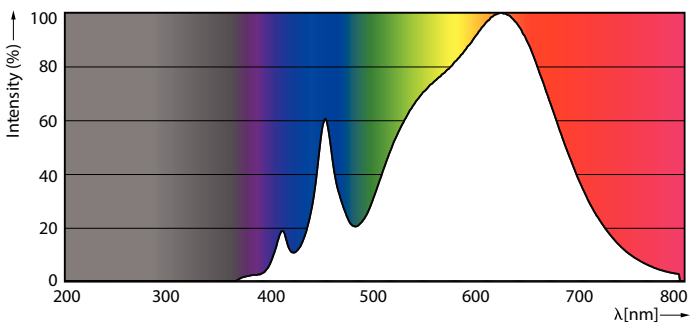
Dimensional drawing



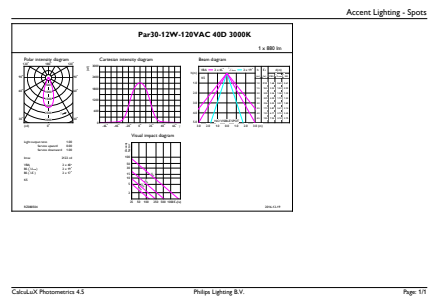
PAR30S 120V 12-75W 900lm 40D 3000K E26 D

Product	D	C
12PAR30S/EXPERTCOLOR RETAIL/F40/930/DIM	94.8 mm	93.1 mm

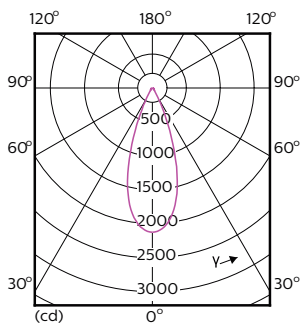
Photometric data



PAR38 120V 17-90W 1200lm 8D 3000K E26 D



PAR30S 120V 12-75W 900lm 40D 3000K E26 D



PAR30S 120V 12-75W 900lm 40D 3000K E26 D

LED PAR30 S/L

Lifetime



ExpertColor PAR38 30S 30L Dim 120V Life Expectancy Diagram

ExpertColor PAR38 30S 30L Dim 120V Lumen Maintenance Diagram

