



# LED PAR38

## 13.5PAR38/AMB/F40/840/DIM ULW

Philips LED spots with a single optic beam, provide a clean beam that's free from shadows with beam angles from 15 and 40 degrees to suit every general lighting application.

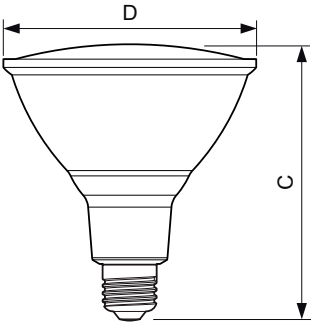
### Product data

General Information		Wattage Equivalent	
Cap-Base	E26 [Single Contact Medium Screw]	Wattage Equivalent	90 W
Nominal lifetime	25,000 hour(s)	Starting Time (Nom)	0.5 s
Switching Cycle	50,000	Warm-up time to 60% light	0.5 s
Lighting Technology	LED	Power Factor (Fraction)	0.9
EU RoHS compliant	Yes	Voltage (Nom)	120 V
Light Technical		Temperature	
Color Code	840 [CCT of 4000K]	T-Case Maximum (Nom)	65 °C
Beam Angle (Nom)	40 degree(s)	Controls and Dimming	
Luminous Flux	950 lm	Dimmable	Yes
Luminous Intensity (Nom)	1,700 cd	Mechanical and Housing	
Color Designation	Cool White (CW)	Bulb Shape	PAR38 [PAR 4.75 inch/121mm]
Correlated Color Temperature (Nom)	4000 K	Approval and Application	
Luminous Efficacy (rated) (Nom)	70.37 lm/W	Suitable For Accent Lighting	Yes
Color Consistency	<6	Product Data	
Color rendering index (CRI)	80	Order product name	13.5PAR38/AMB/F40/840/DIM ULW
LLMF At End Of Nominal Lifetime (Nom)	70 %	Full product name	13.5PAR38/AMB/F40/840/DIM ULW
Operating and Electrical		Order code	929001292604
Line Frequency	50 to 60 Hz	Material Nr. (12NC)	929001292604
Input Frequency	50 to 60 Hz	Numerator - Quantity Per Pack	1
Power Consumption	13.5 W		
Lamp Current (Nom)	119 mA		

# LED PAR38

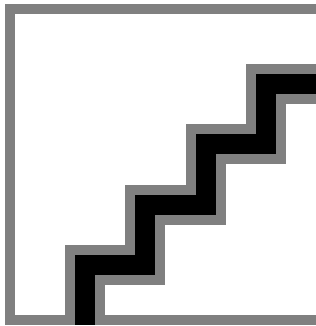
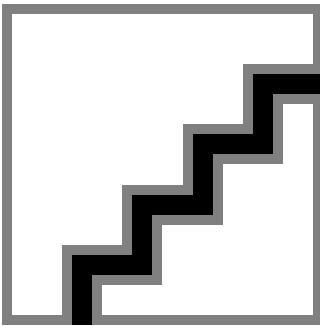
EAN/UPC - Product/Case	046677467807
Numerator - Packs per outer box	6
EAN/UPC - Case	50046677467802

## Dimensional drawing



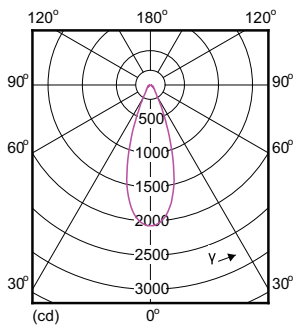
Product	D	C
13.5PAR38/AMB/F40/840/DIM ULW	125 mm	135 mm

## Photometric data



Spectral Power Distribution Colour - 13.5PAR38/AMB/F40/840/DIM ULW

General uniform lighting - 13.5PAR38/AMB/F40/840/DIM ULW



Light Distribution Diagram - 13.5PAR38/AMB/F40/840/DIM ULW

## LED PAR38

