



LED PAR30 S/L

12PAR30S/AMB/F25/840/DIM ULW

Philips LED spots with a single optic beam, provide a clean beam that's free from shadows with beam angles from 15 and 40 degrees to suit every general lighting application.

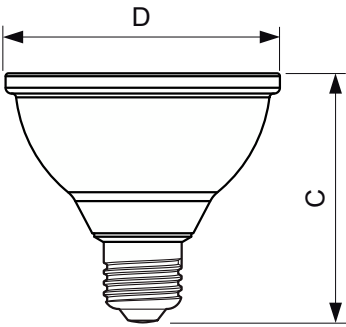
Product data

General Information		Wattage Equivalent	
Cap-Base	E26 [Single Contact Medium Screw]		75 W
Nominal lifetime	25,000 hour(s)	Starting Time (Nom)	0.5 s
Switching Cycle	50,000	Warm-up time to 60% light	0.5 s
Lighting Technology	LED	Power Factor (Fraction)	0.9
EU RoHS compliant	Yes	Voltage (Nom)	120 V
Light Technical		Temperature	
Color Code	840 [CCT of 4000K]	T-Case Maximum (Nom)	85 °C
Beam Angle (Nom)	25 degree(s)	Controls and Dimming	
Luminous Flux	850 lm	Dimmable	Yes
Luminous Intensity (Nom)	3,300 cd	Mechanical and Housing	
Color Designation	Cool White (CW)	Bulb Shape	PAR30S [PAR 3.75 inch/95mm Short]
Correlated Color Temperature (Nom)	4000 K	Approval and Application	
Luminous Efficacy (rated) (Nom)	70.83 lm/W	Suitable For Accent Lighting	Yes
Color Consistency	<6	Product Data	
Color rendering index (CRI)	80	Order product name	12PAR30S/AMB/F25/840/DIM ULW
LLMF At End Of Nominal Lifetime (Nom)	70 %	Full product name	12PAR30S/AMB/F25/840/DIM ULW
Operating and Electrical		Order code	467894
Line Frequency	50 to 60 Hz	Material Nr. (12NC)	929001295004
Input Frequency	50 to 60 Hz	Numerator - Quantity Per Pack	1
Power Consumption	12 W		
Lamp Current (Nom)	110 mA		

LED PAR30 S/L

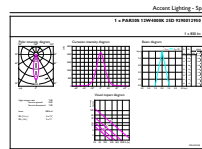
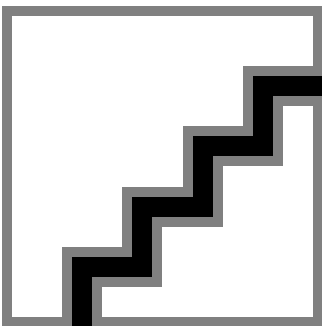
EAN/UPC - Product/Case	046677467890
Numerator - Packs per outer box	6
EAN/UPC - Case	50046677467895

Dimensional drawing



Product	D	C
12PAR30S/AMB/F25/840/DIM ULW	95 mm	95 mm

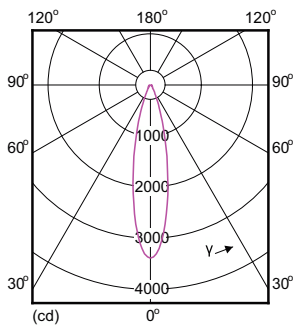
Photometric data



General Illuminance 51 Photo Lighting 51 Page 17

Spectral Power Distribution Colour - 12PAR30S/AMB/F25/840/DIM ULW

General uniform lighting - 12PAR30S/AMB/F25/840/DIM ULW



Light Distribution Diagram - 12PAR30S/AMB/F25/840/DIM ULW

LED PAR30 S/L

