



Essential LED spots GU10

LEDspot50W GU10Kit_S 827 100-240V 36D

A Essential LEDspots, compatíveis com a maioria das instalações existentes com soquete GU10, foram desenvolvidas para substituição dos refletores halógenos. Eles permitem uma economia significativa de energia e minimizam o investimento inicial.

Dados do produto

General Information	
Cap-Base	GU10 [GU10]
Nominal Lifetime (Nom)	15000 h
Switching Cycle	50000X
Technical Type	5-50W
Light Technical	
Color Code	827 [TCC de 2700K]
Beam Angle (Nom)	36 °
Luminous Flux (Nom)	350 lm
Luminous Flux (Rated) (Nom)	350 lm
Luminous Intensity (Nom)	850 cd
Color Designation	Branco quente (WW)
Rated Beam Angle	36 °
Correlated Color Temperature (Nom)	2700 K
Luminous Efficacy (rated) (Nom)	72,00 lm/W
Color Consistency	<6
Índice de restituição cromática (Nom.)	80
Llmf At End Of Nominal Lifetime (Nom)	70 %

Operating and Electrical	
Input Frequency	50-60 Hz
Power (Rated) (Nom)	5 W
Lamp Current (Max)	75 mA
Lamp Current (Min)	45 mA
Wattage Equivalent	50 W
Starting Time (Nom)	0,5 s
Warm Up Time To 60% Light (Nom)	0.5 s
Power Factor (Nom)	0.4
Voltage (Nom)	100-240 V
Temperature	
T-máxima na caixa (Nom)	80 °C
Controls and Dimming	
Dimmable	Não
Approval and Application	
Suitable For Accent Lighting	Yes

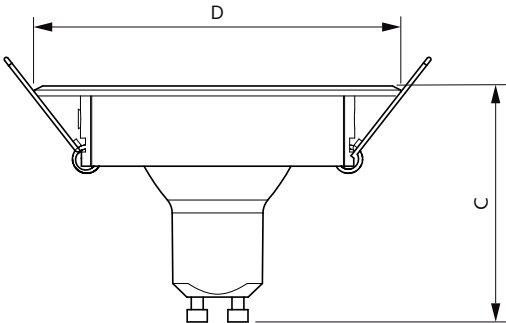
Essential LED spots GU10

Product Data

Full product code	871869668814400
Order product name	LEDspot50W GU10Kit_S 827 100-240V 36D
EAN/UPC - Product	8718696688144
Order code	929001301011
Local Code	SPOTLED5-50WSQ

Numerator - Quantity Per Pack	1
Numerator - Packs per outer box	6
Material Nr. (12NC)	929001301011
Net Weight (Piece)	0,080 kg

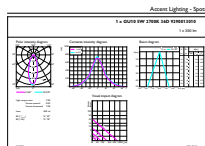
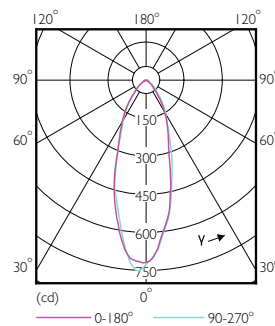
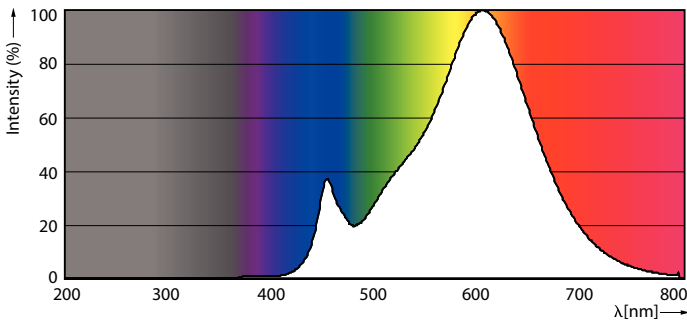
Desenho dimensional



Sq GU10 230V 5-35W 350lm 36D 3000K ND

Product	D	C
LEDspot50W GU10Kit_S 827 100-240V 36D	90 mm	62 mm

Dados fotométricos



LEDspot 50W GU10 PAR16 827 36D

Essential LED spots GU10

Vida útil

