



MASTER LEDspot PAR

MAS LEDspot CLA D 9.5-75W 840 PAR30S 25D

With its robust design and warm-white beam of light, these new-generation PAR lamps are ideal for general lighting and spot lighting in the hospitality industry. There is a choice of dimmable and non-dimmable versions. They are especially suitable for public areas such as lobbies, corridors, stairwells, where the light is always on. Compatible with existing fixtures with an E27 holder and designed for retrofit replacement of halogen/incandescent lamps, MASTER LEDspot PAR deliver huge energy savings and minimize maintenance cost without any reduction in brightness. The IP44-rated outdoor version of the PAR 38 lamp is one of the few energy-saving alternatives to incandescent PAR38 outdoor lamps available today. The dimmable PAR 20 is a perfect replacement for an incandescent spot.

Product data

General Information	
Cap base	E27 [E27]
Nominal lifetime (nom.)	25000 h
Technical type	9.5-75W
Light Technical	
Colour code	841 [CCT of 4100K (841)]
Beam Angle (Nom)	25 °
Luminous flux (nom.)	820 lm
Luminous flux (rated) (nom.)	820 lm
Luminous intensity (nom.)	3500 cd
Colour designation	Cool White (CW)
Rated beam angle	25 °
Correlated colour temperature (nom.)	4000 K
Luminous efficacy (rated) (nom.)	92.63 lm/W
Colour consistency	<6
Color rendering index (nom.)	80

LLMF at end of nominal lifetime (nom.)	70 %
Luminous Flux in 90° Cone (Rated)	820 lm
Operating and Electrical	
Input frequency	50 Hz
Power (Rated) (Nom)	9.5 W
Lamp current (nom.)	48 mA
Wattage equivalent	75 W
Starting time (nom.)	0.5 s
Warm-up time to 60% light (nom.)	0.5 s
Power factor (nom.)	0.85
Voltage (Nom)	220-240 V
Controls and Dimming	
Dimmable	Yes

MASTER LEDspot PAR

Approval and Application

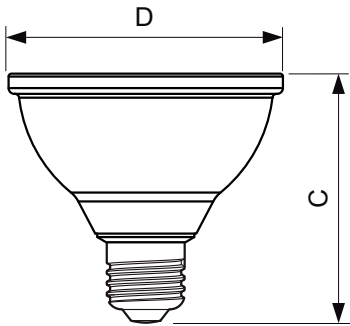
Energy efficiency label (EEL)	A+
Suitable for accent lighting	Yes
Energy Consumption kWh/1000 h	10 kWh

Product Data

Full product code	871869671384600
Order product name	MAS LEDspot CLA D 9.5-75W 840 PAR30S 25D

EAN/UPC – product	8718696713846
Order code	71384600
Numerator – quantity per pack	1
Numerator – packs per outer box	6
Material no. (12NC)	929001323002
Net weight (piece)	0.230 kg

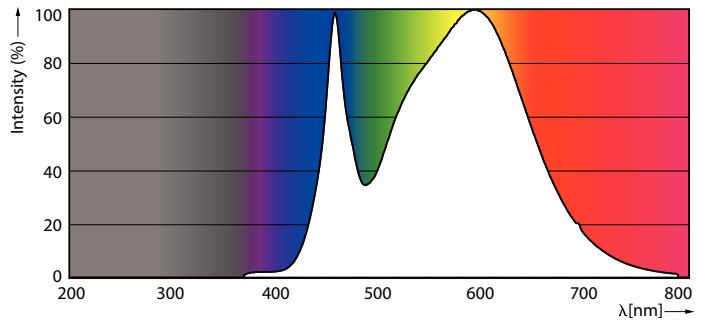
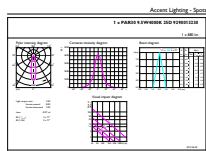
Dimensional drawing



PAR30s 220-240V 9-75W 4000K E27 D

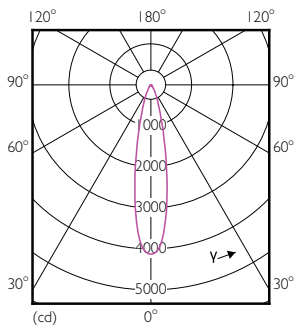
Product	D	C
MAS LEDspot CLA D 9.5-75W 840 PAR30S 25D	95 mm	86 mm

Photometric data



MASTER LEDspot PAR 75W E27 840 25D

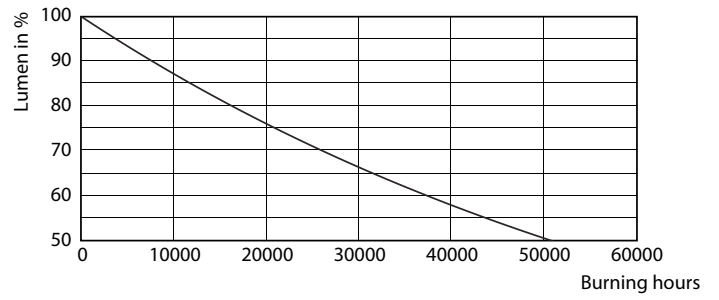
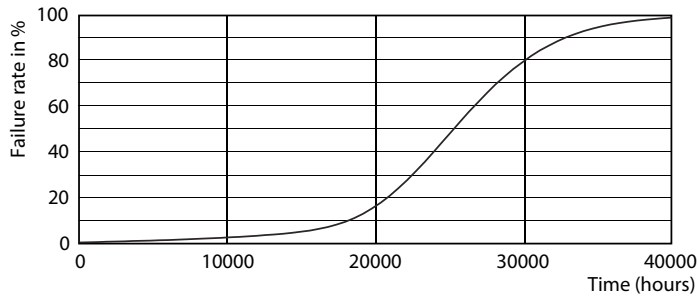
MASTER LEDspot PAR 75W E27 840 25D



MASTER LEDspot PAR 75W E27 840 25D

MASTER LEDspot PAR

Lifetime



MASTER LEDspot PAR 50W E27 827 25D

MASTER LEDspot PAR 50W E27 827 25D

