



CorePro LEDspot LV

CorePro LED spot 2.6–20W 827 MR11 36D

CorePro LEDspots are a perfect fit for spot lighting and deliver warm halogen-like light. They are compatible with most existing fixtures with MR16 GU5.3 holders and are designed as a retrofit replacement for halogen or incandescent spots. LEDlamps deliver huge energy savings and minimize maintenance cost.

Product data

General Information	
Cap base	GU4 [GU4]
Nominal lifetime (nom.)	15000 h
Switching cycle	50000X
Technical type	2.6–20W
Light Technical	
Colour code	827 [CCT of 2,700 K]
Beam Angle (Nom)	36 °
Luminous flux (nom.)	190 lm
Luminous flux (rated) (nom.)	190 lm
Luminous intensity (nom.)	400 cd
Colour designation	Warm white (WW)
Rated beam angle	36 °
Correlated colour temperature (nom.)	2700 K
Luminous efficacy (rated) (nom.)	63.33 lm/W
Colour consistency	<6
Colour rendering index (nom.)	80
LLMF at end of nominal lifetime (nom.)	70 %
Luminous Flux in 90° Cone (Rated)	190 lm
Operating and Electrical	
Power (Rated) (Nom)	2.6 W

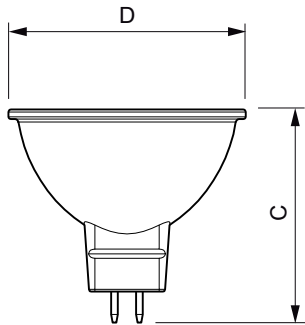
Lamp current (nom.)	350 mA
Wattage equivalent	20 W
Starting time (nom.)	0.5 s
Warm-up time to 60% light (nom.)	0.5 s
Power factor (nom.)	0.66
Voltage (Nom)	12 V
Temperature	
T-Case maximum (nom.)	79 °C
Controls and Dimming	
Dimmable	No
Approval and Application	
Energy efficiency label (EEL)	A+
Suitable for accent lighting	Yes
Energy Consumption kWh/1000 h	3 kWh
Product Data	
Full product code	871869670868200
Order product name	CorePro LED spot 2.6–20W 827 MR11 36D
EAN/UPC – product	8718696708682
Order code	70868200

CorePro LEDspot LV

Numerator – quantity per pack	1
Numerator – packs per outer box	12
Material no. (12NC)	929001339202

Net weight (piece)	0.018 kg
--------------------	----------

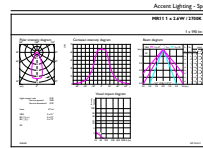
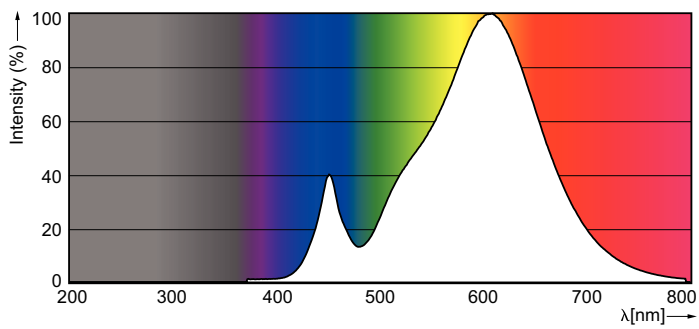
Dimensional drawing



MR11 12V ACV -20W 200lm 25D 2700K GU4 ND

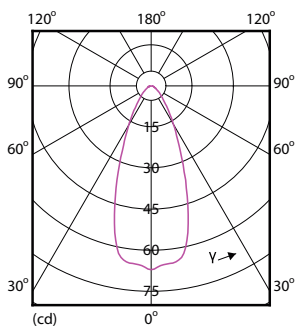
Product	D	C
CorePro LED spot 2.6-20W 827 MR11 36D	35 mm	37.5 mm

Photometric data



CorePro LEDspotLV 20W GU4 827 36D

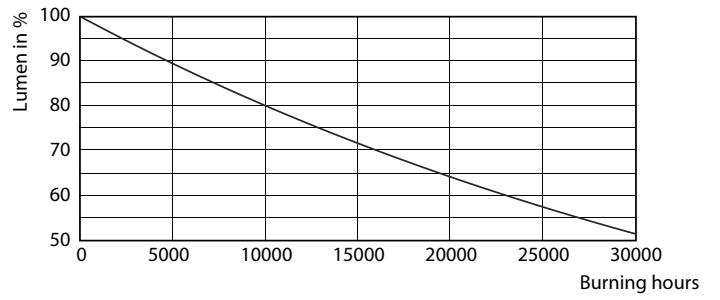
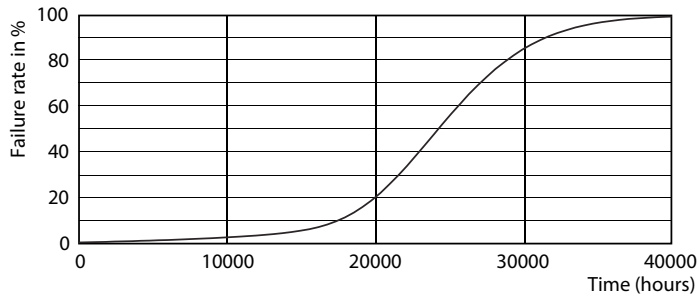
CorePro LEDspotLV 20W GU4 827 36D



CorePro LEDspotLV 20W GU4 827 36D

CorePro LEDspot LV

Lifetime



CorePro LEDspotLV 20W GU4 827 36D

CorePro LEDspotLV 20W GU4 827 36D

