



MASTER LEDspot ExpertColor LV

MASTER LED ExpertColor LED MR16 ExpertColor 7.2-50W 927 60D

MASTER LEDspot LV ExpertColor creates a warm and comfortable ambience for hospitality venues, homes and restaurants. It creates such an ambience with superior lighting that has a customised spectrum, high CRI and deep dimming feature. The result? A beautiful lighting experience. What's more, the innovative, trimless lens design will suit almost any interior decor with its clean and neat look. In addition, you can take advantage of the full ExpertColor family, which also includes LEDspot MV and LEDspot Par lamps.

Product data

General Information	
Cap base	GU5.3 [GU5.3]
Nominal lifetime (nom.)	40000 h
Switching cycle	50000X
Technical type	7.2-50W
Light Technical	
Colour Code	927
Technical Beam Angle (Nom)	60 °
Lamp Luminous Flux 25°C EL (Nom)	450 lm
Lamp Luminous Flux (Nom)	450 lm
Luminous intensity (nom.)	410 cd
Colour Designation	Warm white (WW)
Rated beam angle	60 °
Colour Temperature, horizontal (Nom)	2700 K
Lamp Luminous Efficacy EM (Nom)	62.50 lm/W

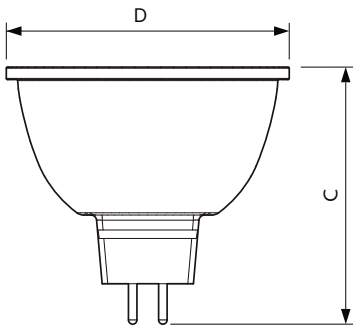
Colour consistency	<3
Colour Rendering Index,horiz (Nom)	97
LLMF at end of nominal lifetime (nom.)	70 %
Operating and Electrical	
Power (Rated) (Nom)	7.2 W
Lamp current (nom.)	800 mA
Wattage equivalent	50 W
Starting time (nom.)	0.5 s
Warm-up time to 60% light (nom.)	1 s
Power factor (nom.)	0.7
Voltage (Nom)	12 V
Temperature	
T-Case maximum (nom.)	92 °C

MASTER LEDspot ExpertColor LV

Controls and Dimming	
Dimmable	Yes
Approval and Application	
Energy efficiency label (EEL)	Not applicable
Suitable for accent lighting	Yes
Product Data	
Full product code	871869671950300
Order product name	MASTER LED ExpertColor LED MR16 ExpertColor 7.2-50W 927 60D

EAN/UPC – product	8718696719503
Order code	929001341408
Local Code	MEC450LMR1660D
Numerator – quantity per pack	1
Numerator – packs per outer box	10
Material no. (12NC)	929001341408
Net weight (piece)	0.034 kg

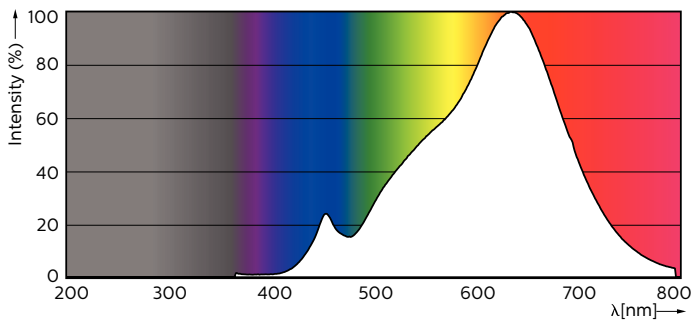
Dimensional drawing



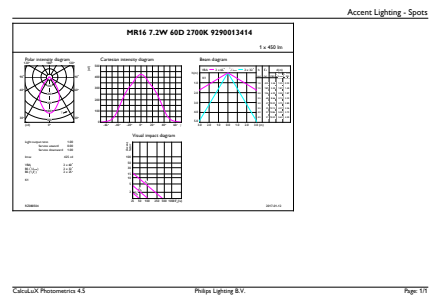
MAS LED MR16 ExpertColor 7.2-50W 927 60D

Product	D	C
MASTER LED ExpertColor LED MR16 ExpertColor 7.2-50W 927 60D	50.5 mm	46 mm

Photometric data



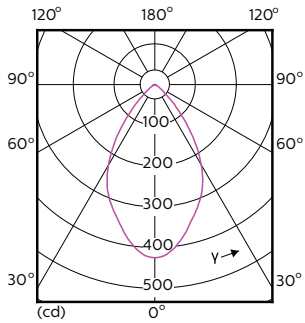
Master LEDspot ExpertColor LV 50W EZ10 927 10D



Master LEDspot ExpertColor LV 50W GU5.3 927 60D

MASTER LEDspot ExpertColor LV

Photometric data



Master LEDspot ExpertColor LV 50W GU5.3 927 60D

Lifetime



Master LEDspot ExpertColor LV 50W EZ10 927 10D



Master LEDspot ExpertColor LV 50W EZ10 927 10D

