



# LED MR16

## 7MR16 ExpertColor F25 927 D 10/1

Philips LED MR-16 lamps with single optic technology provide the look and color quality of traditional halogens while using a fraction of the energy. A perfect fit for spot lighting, they are compatible with most existing fixtures with MR16 GU5.3 holders and are designed as a retrofit replacement for halogen or incandescent spots.

### Product data

General Information	
Cap-Base	GU5.3 [ GU5.3]
Nominal Lifetime (Nom)	40000 h
Switching Cycle	50000X
Technical Type	7-42W

Light Technical	
Color Code	927
Beam Angle (Nom)	25°
Luminous Flux (Nom)	430 lm
Luminous Flux (Rated) (Nom)	430 lm
Luminous Intensity (Nom)	2200 cd
Color Designation	Warm White (WW)
Rated Beam Angle	25°
Correlated Color Temperature (Nom)	2700 K
Luminous Efficacy (rated) (Nom)	61.43 lm/W
Color Consistency	<3
Color Rendering Index (Nom)	95
LLMF At End Of Nominal Lifetime (Nom)	70 %

Operating and Electrical	
Power (Rated) (Nom)	7 W

Temperature	
T-Case Maximum (Nom)	92 °C

Controls and Dimming	
Dimmable	Yes

Approval and Application	
Suitable For Accent Lighting	Yes

Product Data	
Order product name	7MR16 ExpertColor F25 927 D 10/1
EAN/UPC - Product	046677470166
Order code	929001342004
Numerator - Quantity Per Pack	1
Numerator - Packs per outer box	10

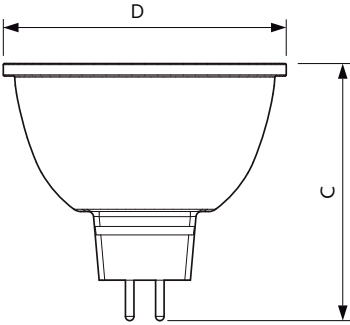
  

Lamp Current (Nom)	
Lamp Current (Nom)	800 mA
Wattage Equivalent	42 W
Starting Time (Nom)	0.5 s
Warm Up Time to 60% Light (Nom)	0.5 s
Power Factor (Nom)	0.7
Voltage (Nom)	12 V

# LED MR16

Material Nr. (12NC)	929001342004
Net Weight (Piece)	0.034 kg

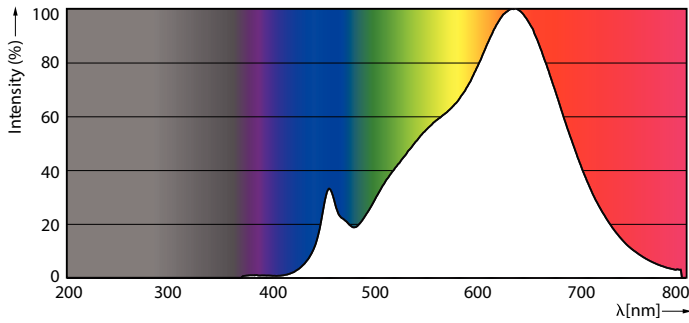
## Dimensional drawing



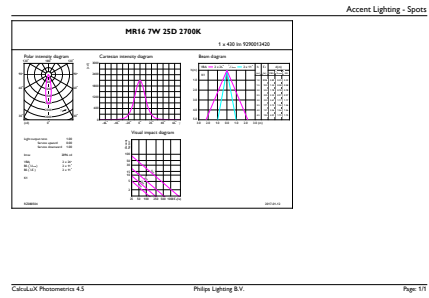
MR16 12V 6.5-42W 420lm 25D 2700K GU5.3 D

Product	D	C
7MR16 ExpertColor F25 927 D 10/1	51 mm	46 mm

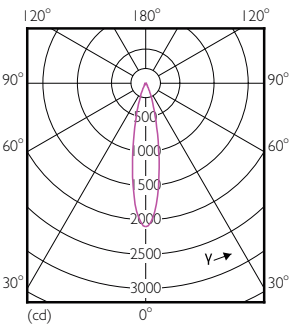
## Photometric data



PAR38 120V 17-90W 1150lm 8D 2700K E26 D



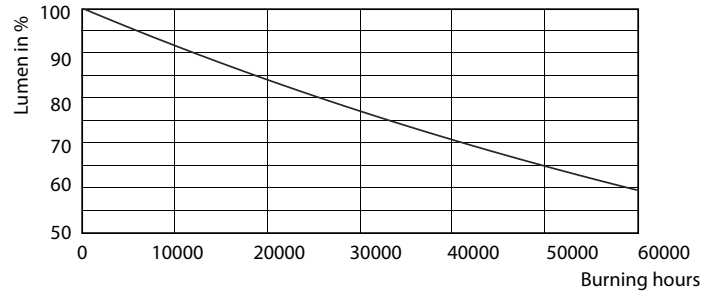
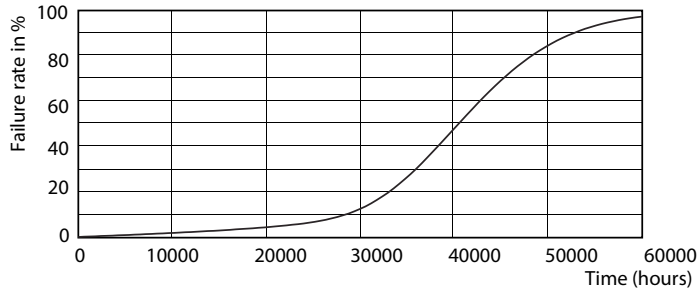
MR16 12V 6.5-42W 420lm 25D 2700K GU5.3 D



LEDSpots MR16 7W 927 430lm 25D

# LED MR16

## Lifetime



LEDspots MR16 7W

LEDspots MR16 7W

