



MR16/GU10/PAR16

7MR16 ExpertColor F25 930 D 10/1

Philips MR16 Dimmable LED Lamps provide ambient level light to illuminate hard to maintain applications. Increased transformer compatibility allows for operation on a wider range of transformers. Available in dimmable and non-dimmable versions, these lamps are ideal for track and open recessed fixtures in retail, hospitality and residential spaces.

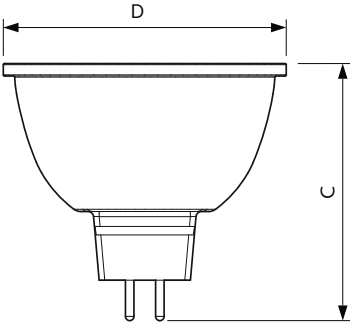
Product data

| General Information | | Lamp Current (Nom) | |
|---------------------------------------|---------------------|---------------------------------|----------------------------------|
| Cap-Base | GU5.3 [GU5.3] | | 800 mA |
| Nominal Lifetime (Nom) | 40000 h | Wattage Equivalent | 42 W |
| Switching Cycle | 50000X | Starting Time (Nom) | 0.5 s |
| Technical Type | 7-42W | Warm Up Time to 60% Light (Nom) | 0.5 s |
| | | Power Factor (Nom) | 0.7 |
| | | Voltage (Nom) | 12 V |
| Light Technical | | Temperature | |
| Color Code | 930 [CCT of 3000K] | T-Case Maximum (Nom) | 92 °C |
| Beam Angle (Nom) | 25 ° | | |
| Luminous Flux (Nom) | 460 lm | Controls and Dimming | |
| Luminous Flux (Rated) (Nom) | 460 lm | Dimmable | Yes |
| Luminous Intensity (Nom) | 2350 cd | | |
| Color Designation | White (WH) | Approval and Application | |
| Rated Beam Angle | 25 ° | Suitable For Accent Lighting | Yes |
| Correlated Color Temperature (Nom) | 3000 K | | |
| Luminous Efficacy (rated) (Nom) | 65.71 lm/W | Product Data | |
| Color Consistency | <3 | Order product name | 7MR16 ExpertColor F25 930 D 10/1 |
| Color Rendering Index (Nom) | 95 | EAN/UPC - Product | 046677470173 |
| LLMF At End Of Nominal Lifetime (Nom) | 70 % | Order code | 929001342104 |
| Operating and Electrical | | Numerator - Quantity Per Pack | 1 |
| Power (Rated) (Nom) | 7 W | Numerator - Packs per outer box | 10 |

MR16/GU10/PAR16

| | |
|---------------------|--------------|
| Material Nr. (12NC) | 929001342104 |
| Net Weight (Piece) | 0.034 kg |

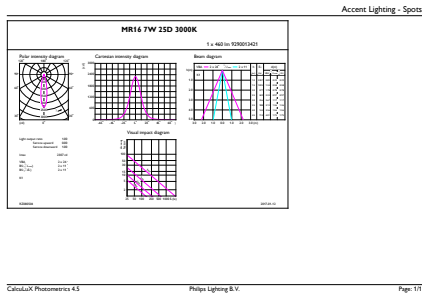
Dimensional drawing



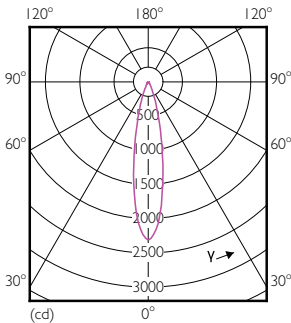
MR16 12V 6.5-42W 450lm 25D 3000K GU5.3 D

| Product | D | C |
|----------------------------------|-------|-------|
| 7MR16 ExpertColor F25 930 D 10/1 | 51 mm | 46 mm |

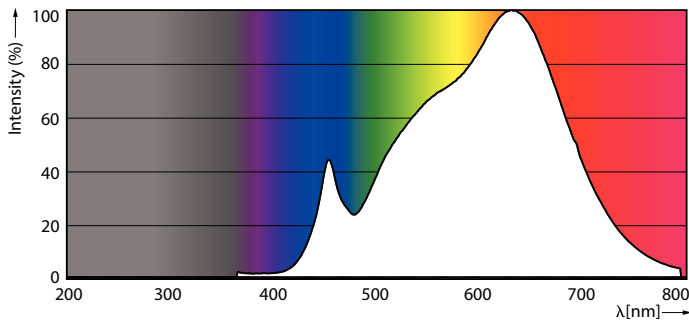
Photometric data



MR16 12V 6.5-42W 450lm 25D 3000K GU5.3 D

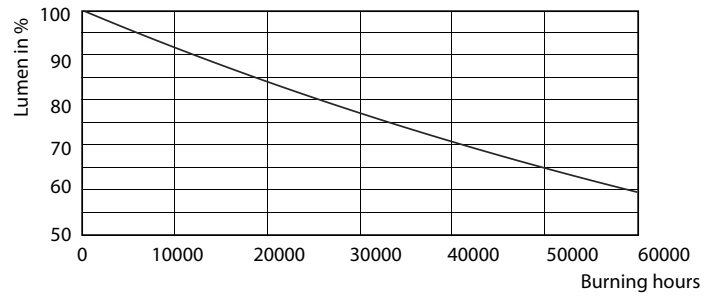
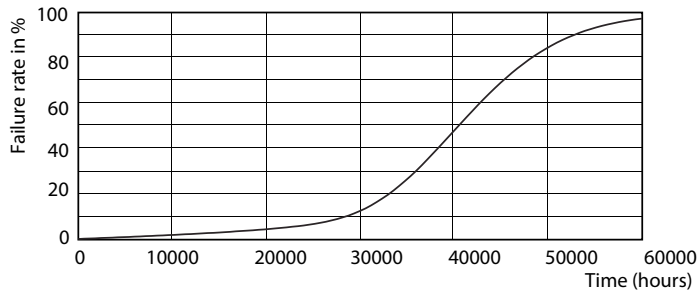


LEDSpots MR16 7W 930 460lm 25D



LEDSpots MR16 7W 3000K

Lifetime



LEDspots MR16 7W

LEDspots MR16 7W

