



# MR16/GU10/PAR16

## 7MR16 ExpertColor F25 940 D 10/1

Philips MR16 Dimmable LED Lamps provide ambient level light to illuminate hard to maintain applications. Increased transformer compatibility allows for operation on a wider range of transformers. Available in dimmable and non-dimmable versions, these lamps are ideal for track and open recessed fixtures in retail, hospitality and residential spaces.

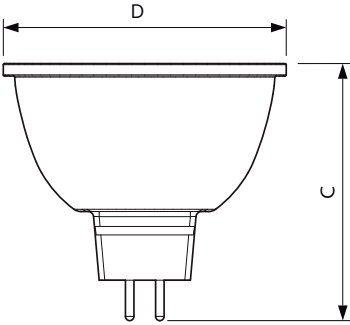
### Product data

General Information		Lamp Current (Nom)	
Cap-Base	GU5.3 [ GU5.3]		800 mA
Nominal Lifetime (Nom)	40000 h	Wattage Equivalent	42 W
Switching Cycle	50000X	Starting Time (Nom)	0.5 s
Technical Type	7-42W	Warm Up Time to 60% Light (Nom)	0.5 s
		Power Factor (Nom)	0.7
		Voltage (Nom)	12 V
Light Technical		Temperature	
Color Code	940 [ CCT of 4000K]	T-Case Maximum (Nom)	92 °C
Beam Angle (Nom)	25 °		
Luminous Flux (Nom)	460 lm	Controls and Dimming	
Luminous Flux (Rated) (Nom)	460 lm	Dimmable	Yes
Luminous Intensity (Nom)	2350 cd		
Color Designation	Cool White (CW)	Approval and Application	
Rated Beam Angle	25 °	Suitable For Accent Lighting	Yes
Correlated Color Temperature (Nom)	4000 K		
Luminous Efficacy (rated) (Nom)	65.71 lm/W	Product Data	
Color Consistency	<3	Order product name	7MR16 ExpertColor F25 940 D 10/1
Color Rendering Index (Nom)	95	EAN/UPC - Product	046677470180
LLMF At End Of Nominal Lifetime (Nom)	70 %	Order code	929001342204
Operating and Electrical		Numerator - Quantity Per Pack	1
Power (Rated) (Nom)	7 W	Numerator - Packs per outer box	10

# MR16/GU10/PAR16

Material Nr. (12NC)	929001342204
Net Weight (Piece)	0.034 kg

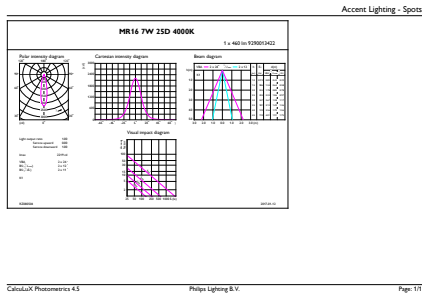
## Dimensional drawing



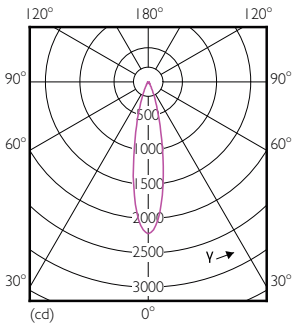
MR16 12V 6.5-42W 450lm 25D 4000K GU5.3 D

Product	D	C
7MR16 ExpertColor F25 940 D 10/1	51 mm	46 mm

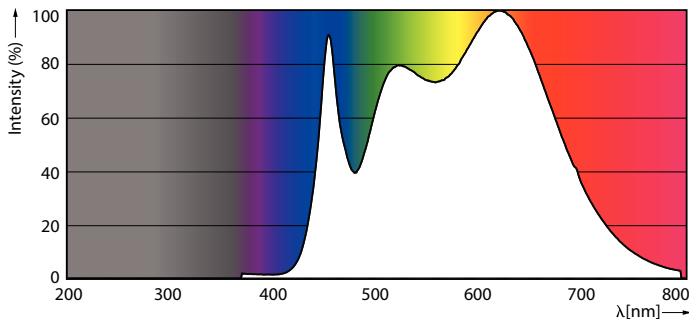
## Photometric data



MR16 12V 6.5-42W 450lm 25D 4000K GU5.3 D

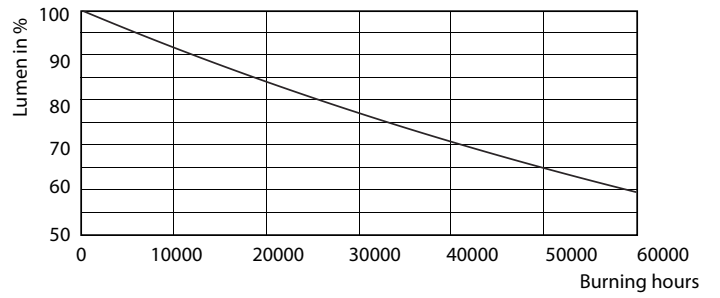
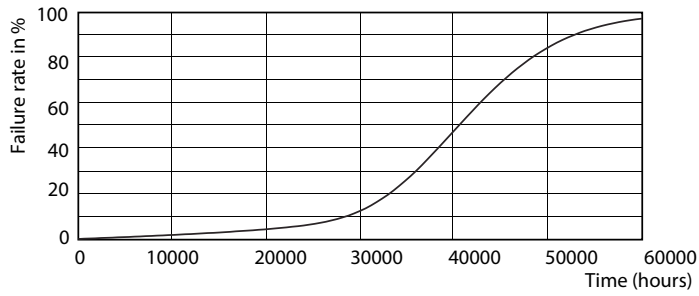


LEDSpots MR16 7W 940 460lm 25D



LEDSpots MR16 7W 4000K

Lifetime



LEDspots MR16 7W

LEDspots MR16 7W

