



MASTER LEDspot ExpertColor LV

MASTER LED ExpertColor 6.5-35W MR16 930 36D

MASTER LEDspot LV ExpertColor creates a warm and comfortable ambience for hospitality venues, homes and restaurants. It creates such an ambience with superior lighting that has a customized spectrum, high CRI, and deep dimming feature. The result? A beautiful lighting experience. What's more, the innovative, trimless lens design will suit almost any interior decor with its clean and neat look. In addition, you can take advantage of the full ExpertColor family, which also includes LEDspot MV and LEDspot Par lamps.

Product data

General Information		Luminous Flux in 90° Cone (Rated)	
Cap-Base	GU5.3 [GU5.3]		440 lm
Nominal lifetime	40,000 hour(s)	Operating and Electrical	
Switching Cycle	50,000	Line Frequency	- Hz
Lighting Technology	LED	Input Frequency	- Hz
EU RoHS compliant	Yes	Power Consumption	6.5 W
		Lamp Current (Nom)	800 mA
		Wattage Equivalent	35 W
		Starting Time (Nom)	0.5 s
		Warm-up time to 60% light	0.5 s
		Power Factor (Fraction)	0.7
		Voltage (Nom)	ac electronic 12 V
Light Technical		Temperature	
Color Code	930 [CCT of 3000K]	T-Case Maximum (Nom)	90 °C
Beam Angle (Nom)	36 degree(s)		
Luminous Flux	440 lm		
Luminous Intensity (Nom)	1,400 cd		
Color Designation	White (WH)		
Correlated Color Temperature (Nom)	3000 K		
Luminous Efficacy (rated) (Nom)	67.69 lm/W		
Color Consistency	<3		
Color rendering index (CRI)	97		
LLMF At End Of Nominal Lifetime (Nom)	70 %		

MASTER LEDspot ExpertColor LV

Controls and Dimming

Dimmable	Yes
----------	-----

Mechanical and Housing

Bulb Shape	MR16 [2inch/50mm]
------------	-------------------

Approval and Application

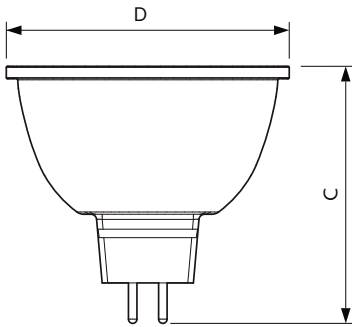
Suitable For Accent Lighting	Yes
Energy Consumption kWh/1000 h	8 kWh
EyeComfort	Yes

Product Data

Order product name	MAS LED ExpertColor 6.5-35W MR16 930 36D
--------------------	--

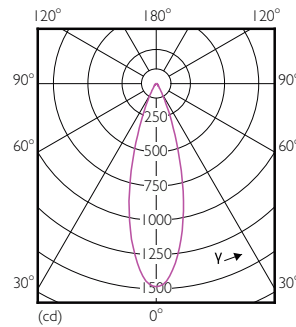
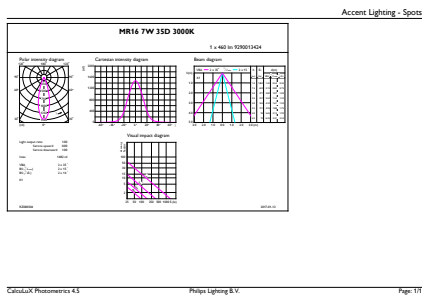
Full product name	MASTER LED ExpertColor 6.5-35W MR16 930 36D
Full product code	871869673885600
Order code	73885600
Material Nr. (12NC)	929001342402
Numerator - Quantity Per Pack	1
EAN/UPC - Product/Case	8718696738856
Numerator - Packs per outer box	10
EAN/UPC - Case	8718696738863

Dimensional drawing



Product	D	C
MAS LED ExpertColor 6.5-35W MR16 930 36D	51 mm	46 mm

Photometric data

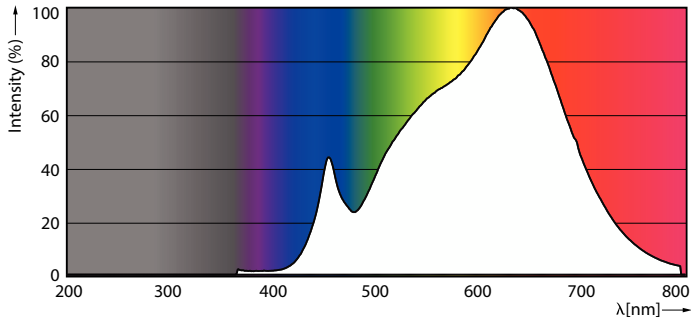


Accent Lighting Spots - MAS LED ExpertColor 6.5-35W MR16 930 36D

Light Distribution Diagram - MAS LED ExpertColor 6.5-35W MR16 930 36D

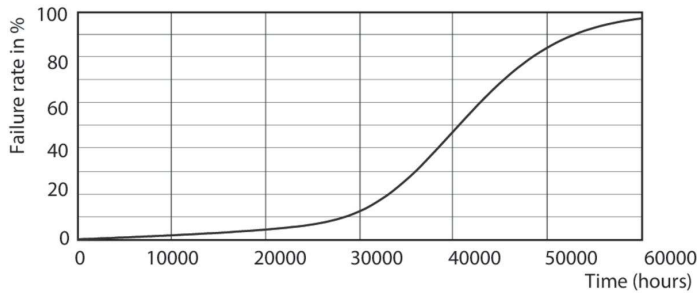
MASTER LEDspot ExpertColor LV

Photometric data

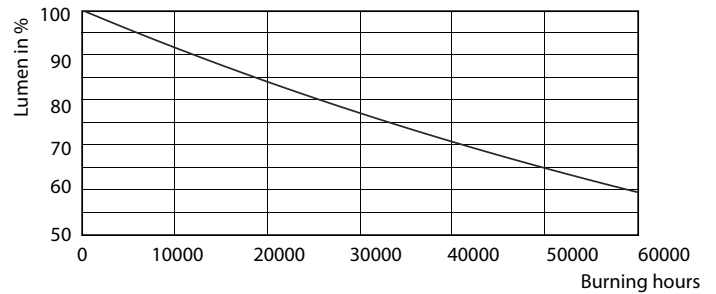


Spectral Power Distribution Colour - MAS LED ExpertColor 6.5-35W MR16 930 36D

Lifetime



Life Expectancy Diagram - MAS LED ExpertColor 6.5-35W MR16 930 36D



Lumen Maintenance Diagram - MAS LED ExpertColor 6.5-35W MR16 930 36D

