



MASTER LEDspot ExpertColor LV

MASTER LED ExpertColor LED ExpertColor 6.5-35W MR16 930 36D

MASTER LEDspot LV ExpertColor creates a warm and comfortable ambience for hospitality venues, homes and restaurants. It creates such an ambience with superior lighting that has a customised spectrum, high CRI and deep dimming feature. The result? A beautiful lighting experience. What's more, the innovative, trimless lens design will suit almost any interior decor with its clean and neat look. In addition, you can take advantage of the full ExpertColor family, which also includes LEDspot MV lamps.

Product data

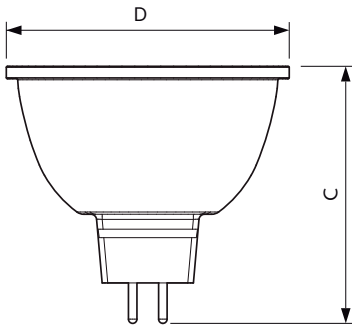
General Information		Colour consistency	
Cap base	GU5.3 [GU5.3]	Colour consistency	<3
Nominal lifetime (nom.)	40000 h	Color rendering index (nom.)	97
Switching cycle	50000X	LLMF at end of nominal lifetime (nom.)	70 %
Technical type	6.5-35W	Luminous Flux in 90° Cone (Rated)	440 lm
Light Technical		Operating and Electrical	
Colour code	930 [CCT of 3,000 K]	Power (Rated) (Nom)	6.5 W
Beam Angle (Nom)	36 °	Lamp current (nom.)	800 mA
Luminous flux (nom.)	440 lm	Wattage equivalent	35 W
Luminous flux (rated) (nom.)	440 lm	Starting time (nom.)	0.5 s
Luminous intensity (nom.)	1400 cd	Warm-up time to 60% light (nom.)	0.5 s
Colour designation	White (WH)	Power factor (nom.)	0.7
Rated beam angle	36 °	Voltage (Nom)	ac electronic 12 V
Correlated colour temperature (nom.)	3000 K		
Luminous efficacy (rated) (nom.)	67.69 lm/W		

MASTER LEDspot ExpertColor LV

Temperature	
T-Case maximum (nom.)	90 °C
Controls and Dimming	
Dimmable	Yes
Approval and Application	
Energy efficiency label (EEL)	A+
Suitable for accent lighting	Yes
Energy Consumption kWh/1000 h	8 kWh
Product Data	
Full product code	871869673885600

Order product name	MASTER LED ExpertColor LED ExpertColor 6.5-35W MR16 930 36D
EAN/UPC – product	8718696738856
Order code	73885600
Numerator – quantity per pack	1
Numerator – packs per outer box	10
Material no. (12NC)	929001342402
Net weight (piece)	0.030 kg

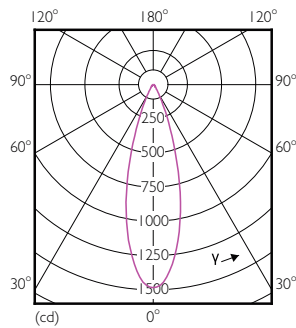
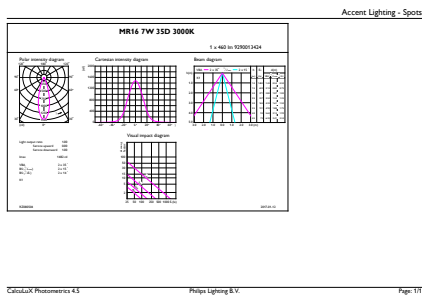
Dimensional drawing



MR16 12V 6.5-42W 450lm 35D 3000K GU5.3 D

Product	D	C
MASTER LED ExpertColor LED ExpertColor 6.5-35W MR16 930 36D	51 mm	46 mm

Photometric data

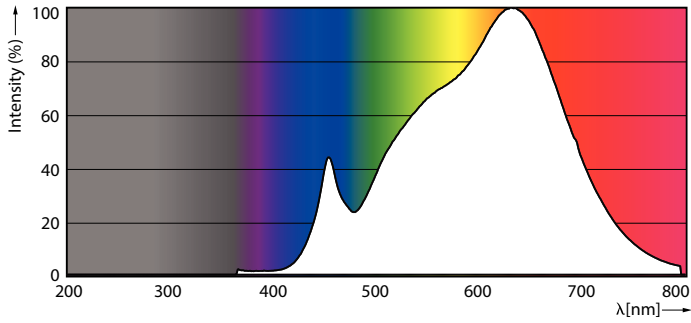


MR16 12V 6.5-42W 450lm 35D 3000K GU5.3 D

LEDSpots MR16 7W 930 460lm 35D

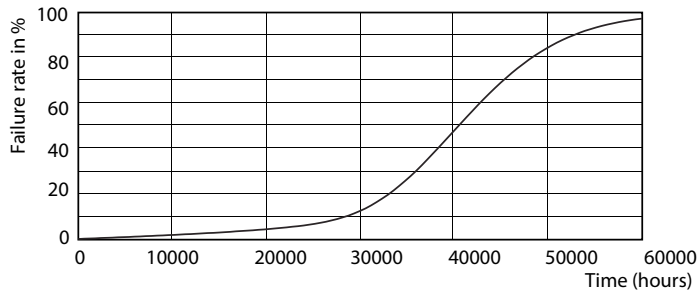
MASTER LEDspot ExpertColor LV

Photometric data

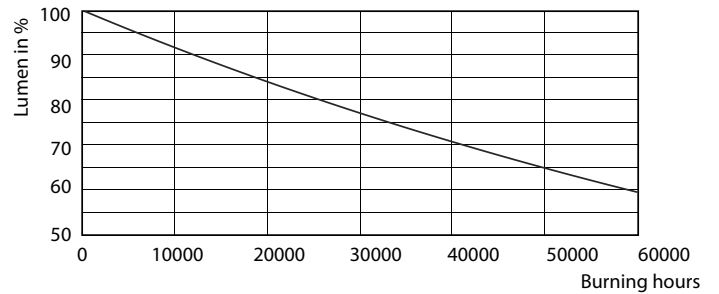


LEDspots MR16 7W 3000K

Lifetime



LEDspots MR16 7W



LEDspots MR16 7W

