



LED MR16

7MR16 ExpertColor F35 940 D 10/1

Philips LED MR-16 lamps with single optic technology provide the look and color quality of traditional halogens while using a fraction of the energy. A perfect fit for spot lighting, they are compatible with most existing fixtures with MR16 GU5.3 holders and are designed as a retrofit replacement for halogen or incandescent spots.

Product data

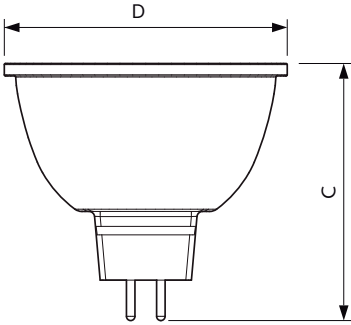
General Information	
Base	GU5.3 [GU5.3]
Nominal Lifetime (Nom)	40000 h
Switching Cycle	50000X
Technical Type	7-42W
Light Technical	
Color Code	940 [CCT of 4000K]
Beam Angle (Nom)	35 °
Initial lumen (Nom)	460 lm
Luminous Flux (Rated) (Nom)	460 lm
Luminous Intensity (Nom)	1400 cd
Color Designation	Cool White (CW)
Rated Beam Angle	35 °
Correlated Color Temperature (Nom)	4000 K
Luminous Efficacy (rated) (Nom)	65.71 lm/W
Color Consistency	<3
Color Rendering Index (Nom)	95
LLMF At End Of Nominal Lifetime (Nom)	70 %
Operating and Electrical	
Power (Rated) (Nom)	7 W

Lamp Current (Nom)	800 mA
Starting Time (Nom)	0.5 s
Warm Up Time to 60% Light (Nom)	0.5 s
Power Factor (Nom)	0.7
Voltage (Nom)	12 V
Temperature	
T-Case Maximum (Nom)	92 °C
Controls and Dimming	
Dimmable	Yes
Approval and Application	
Suitable For Accent Lighting	Yes
Product Data	
Order product name	7MR16 ExpertColor F35 940 D 10/1
EAN/UPC - Product	046677470210
Order code	470211
Numerator - Quantity Per Pack	1
Numerator - Packs per outer box	10
Material Nr. (12NC)	929001342504

LED MR16

Net Weight (Piece) 0.034 kg

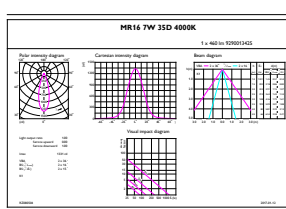
Dimensional drawing



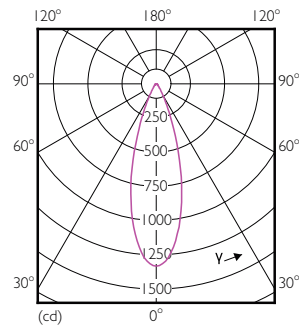
MR16 12V 6.5-42W 450lm 35D 4000K GU5.3 D

Product	D	C
7MR16 ExpertColor F35 940 D 10/1	51 mm	46 mm

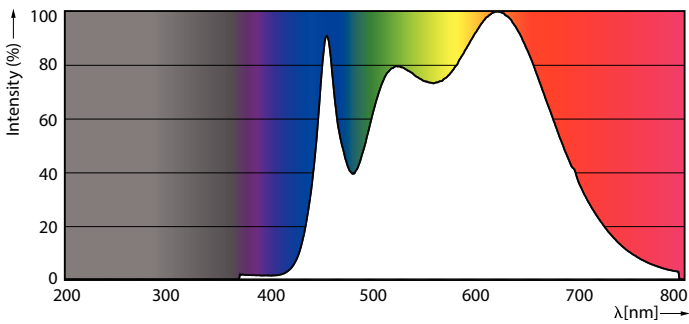
Photometric data



MR16 12V 6.5-42W 450lm 35D 4000K GU5.3 D



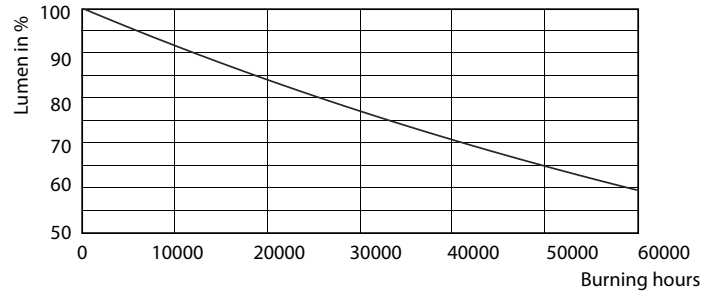
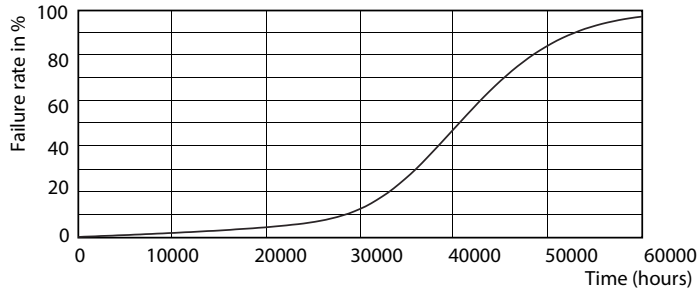
LEDSpots MR16 7W 940 460lm 35D



LEDSpots MR16 7W 4000K

LED MR16

Lifetime



LEDspots MR16 7W

LEDspots MR16 7W

