



# LED MR16

## 7MR16 ExpertColor F35 940 D 10/1

Philips LED MR-16 lamps with single optic technology provide the look and color quality of traditional halogens while using a fraction of the energy. A perfect fit for spot lighting, they are compatible with most existing fixtures with MR16 GU5.3 holders and are designed as a retrofit replacement for halogen or incandescent spots.

### Product data

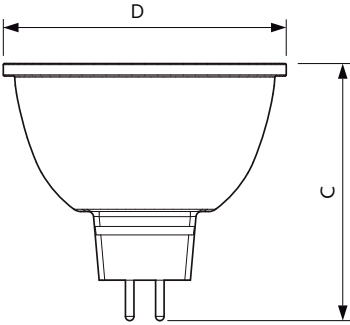
| General Information                   |                     |
|---------------------------------------|---------------------|
| Cap-Base                              | GU5.3 [ GU5.3]      |
| Nominal Lifetime (Nom)                | 40000 h             |
| Switching Cycle                       | 50000X              |
| Technical Type                        | 7-42W               |
| Light Technical                       |                     |
| Color Code                            | 940 [ CCT of 4000K] |
| Beam Angle (Nom)                      | 35 °                |
| Luminous Flux (Nom)                   | 460 lm              |
| Luminous Flux (Rated) (Nom)           | 460 lm              |
| Luminous Intensity (Nom)              | 1400 cd             |
| Color Designation                     | Cool White (CW)     |
| Rated Beam Angle                      | 35 °                |
| Correlated Color Temperature (Nom)    | 4000 K              |
| Luminous Efficacy (rated) (Nom)       | 65.71 lm/W          |
| Color Consistency                     | <3                  |
| Color Rendering Index (Nom)           | 95                  |
| LLMF At End Of Nominal Lifetime (Nom) | 70 %                |
| Operating and Electrical              |                     |
| Power (Rated) (Nom)                   | 7 W                 |

| Lamp Current (Nom)              | 800 mA                           |
|---------------------------------|----------------------------------|
| Wattage Equivalent              | 42 W                             |
| Starting Time (Nom)             | 0.5 s                            |
| Warm Up Time to 60% Light (Nom) | 0.5 s                            |
| Power Factor (Nom)              | 0.7                              |
| Voltage (Nom)                   | 12 V                             |
| Temperature                     |                                  |
| T-Case Maximum (Nom)            | 92 °C                            |
| Controls and Dimming            |                                  |
| Dimmable                        | Yes                              |
| Approval and Application        |                                  |
| Suitable For Accent Lighting    | Yes                              |
| Product Data                    |                                  |
| Order product name              | 7MR16 ExpertColor F35 940 D 10/1 |
| EAN/UPC - Product               | 046677470210                     |
| Order code                      | 929001342504                     |
| Numerator - Quantity Per Pack   | 1                                |
| Numerator - Packs per outer box | 10                               |

# LED MR16

|                     |              |
|---------------------|--------------|
| Material Nr. (12NC) | 929001342504 |
| Net Weight (Piece)  | 0.034 kg     |

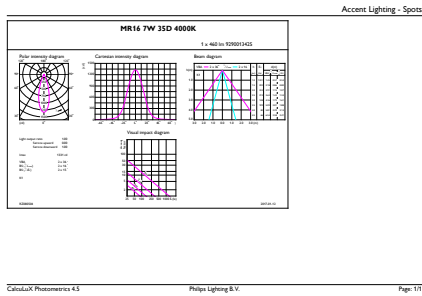
## Dimensional drawing



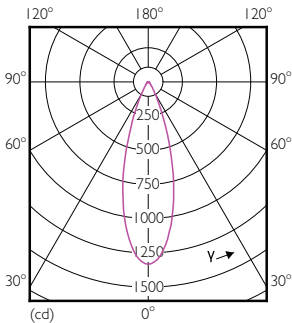
MR16 12V 6.5-42W 450lm 35D 4000K GU5.3 D

| Product                          | D     | C     |
|----------------------------------|-------|-------|
| 7MR16 ExpertColor F35 940 D 10/1 | 51 mm | 46 mm |

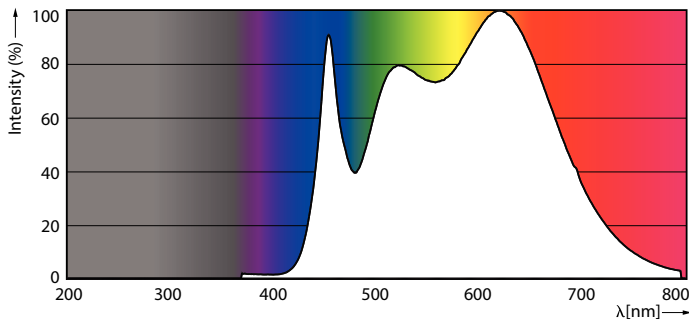
## Photometric data



MR16 12V 6.5-42W 450lm 35D 4000K GU5.3 D



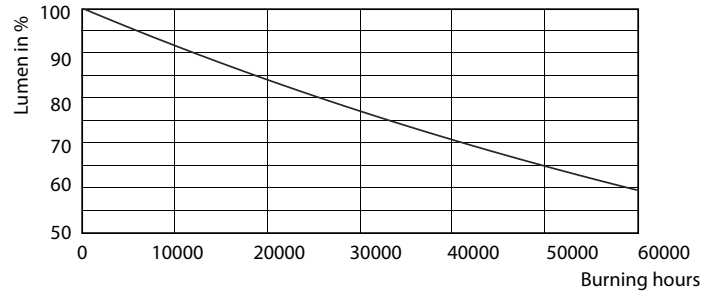
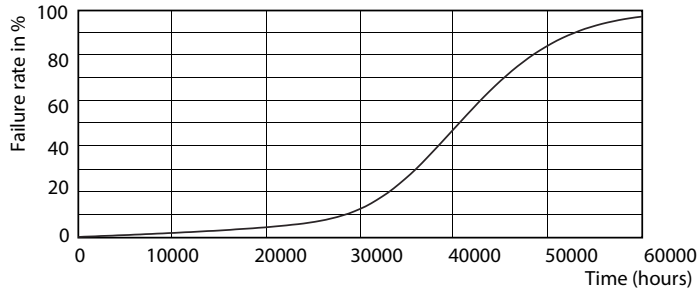
LEDSpots MR16 7W 940 460lm 35D



LEDSpots MR16 7W 4000K

# LED MR16

## Lifetime



LEDspots MR16 7W

LEDspots MR16 7W

