



LED MR16

7MR16 ExpertColor Retail F35 930 10/1

Philips LED MR-16 lamps with single optic technology provide the look and color quality of traditional halogens while using a fraction of the energy. A perfect fit for spot lighting, they are compatible with most existing fixtures with MR16 GU5.3 holders and are designed as a retrofit replacement for halogen or incandescent spots.

Product data

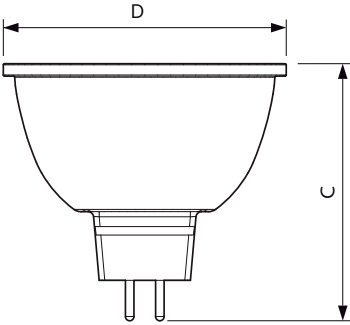
General Information		Lamp Current (Nom)	
Base	GU5.3 [GU5.3]		800 mA
EU RoHS compliant	Yes	Wattage Equivalent	42 W
Nominal Lifetime (Nom)	40000 h	Starting Time (Nom)	0.5 s
Switching Cycle	50000X	Warm Up Time to 60% Light (Nom)	0.5 s
Technical Type	7-42W	Power Factor (Nom)	0.7
		Voltage (Nom)	12 V
Light Technical		Temperature	
Color Code	930 [CCT of 3000K]	T-Case Maximum (Nom)	90 °C
Beam Angle (Nom)	35 °		
Initial lumen (Nom)	430 lm	Controls and Dimming	
Luminous Intensity (Nom)	1300 cd	Dimmable	No
Color Designation	White (WH)		
Correlated Color Temperature (Nom)	3000 K	Mechanical and Housing	
Luminous Efficacy (rated) (Nom)	61.43 lm/W	Bulb Shape	MR16 [2inch/50mm]
Color Consistency	<3		
Color Rendering Index (Nom)	90	Approval and Application	
LLMF At End Of Nominal Lifetime (Nom)	70 %	Suitable For Accent Lighting	Yes
		Energy Consumption kWh/1000 h	- kWh
Operating and Electrical		Product Data	
Input Frequency	- Hz	Order product name	7MR16 ExpertColor Retail F35 930 10/1
Power (Rated) (Nom)	7 W		

LED MR16

EAN/UPC - Product	046677470241
Order code	470245
Numerator - Quantity Per Pack	1
Numerator - Packs per outer box	10

Material Nr. (12NC)	929001342804
Net Weight (Piece)	0.034 kg

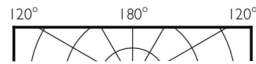
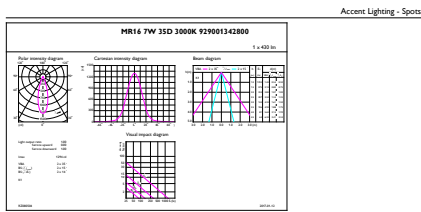
Dimensional drawing



MR16 12V 6.5-42W 35D 3000K GU5.3 ND

Product	D	C
7MR16 ExpertColor Retail F35 930 10/1	51 mm	46 mm

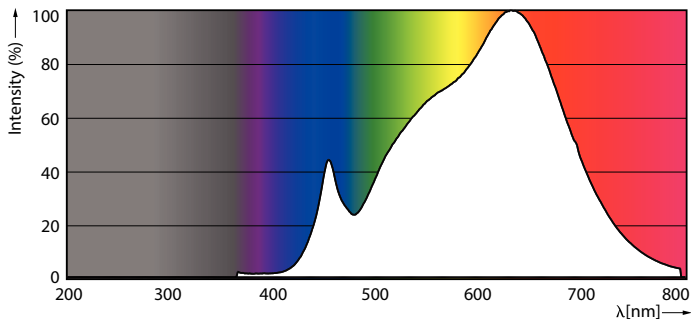
Photometric data



CalcLux Photonics 4.5 Philips Lighting B.V. Page 1/1

MR16 12V 6.5-42W 35D 3000K GU5.3 ND

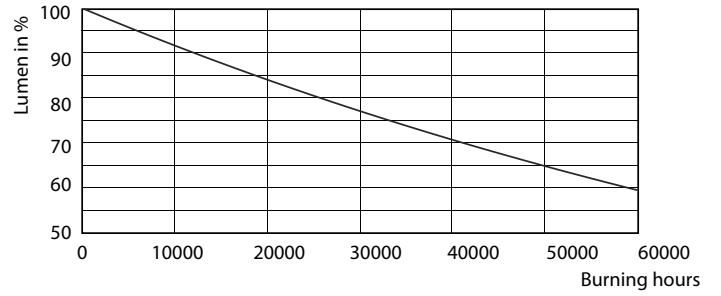
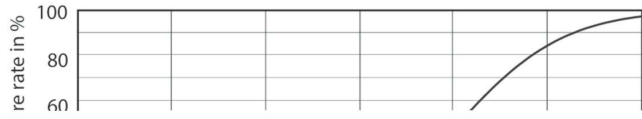
LEDspots MR16 7W 930 430lm 35D



LEDspots MR16 7W 3000K

LED MR16

Lifetime



LEDspots MR16 7W

LEDspots MR16 7W

