



# CorePro LEDspot LV

## CorePro LED spot ND 3-20W MR16 827 36D

CorePro LEDspots are a perfect fit for spot lighting and deliver warm halogen-like light. They are compatible with most existing fixtures with MR16 GU5.3 holders and are designed as a retrofit replacement for halogen or incandescent spots. LEDlamps deliver huge energy savings and minimize maintenance cost.

### Product data

General Information		Power Consumption	
Cap-Base	GU5.3 [GU5.3]	Power Consumption	3 W
Nominal lifetime	15,000 hour(s)	Lamp Current (Nom)	385 mA
Switching Cycle	50,000	Wattage Equivalent	20 W
Lighting Technology	LED	Starting Time (Nom)	0.5 s
EU RoHS compliant	Yes	Warm-up time to 60% light	0.5 s
Light Technical		Power Factor (Fraction)	0.6
Color Code	827 [CCT of 2700K]	Voltage (Nom)	12 V
Beam Angle (Nom)	36 degree(s)	Temperature	
Luminous Flux	230 lm	T-Case Maximum (Nom)	68 °C
Luminous Intensity (Nom)	600 cd	Controls and Dimming	
Color Designation	Warm White (WW)	Dimmable	No
Correlated Color Temperature (Nom)	2700 K	Mechanical and Housing	
Luminous Efficacy (rated) (Nom)	76.00 lm/W	Bulb Shape	MR16 [2inch/50mm]
Color Consistency	<6	Approval and Application	
Color rendering index (CRI)	80	Suitable For Accent Lighting	Yes
LLMF At End Of Nominal Lifetime (Nom)	70 %	Energy Consumption kWh/1000 h	3 kWh
Luminous Flux in 90° Cone (Rated)	230 lm	EyeComfort	Yes
Operating and Electrical			
Line Frequency	- Hz		
Input Frequency	- Hz		

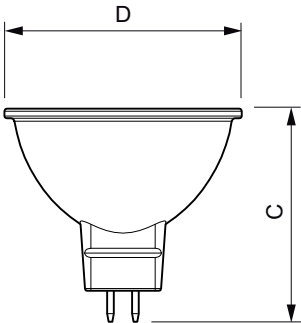
# CorePro LEDspot LV

## Product Data

Order product name	CorePro LED spot ND 3-20W MR16 827 36D
Full product name	CorePro LED spot ND 3-20W MR16 827 36D
Full product code	871869671061600
Order code	71061600
Material Nr. (12NC)	929001344002

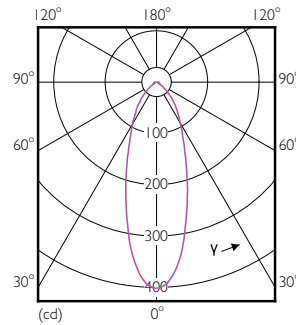
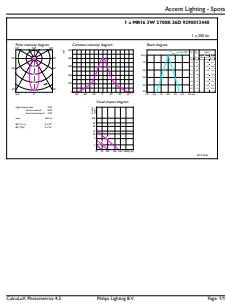
Numerator - Quantity Per Pack	1
EAN/UPC - Product/Case	8718696710616
Numerator - Packs per outer box	10
EAN/UPC - Case	8718696710623

## Dimensional drawing



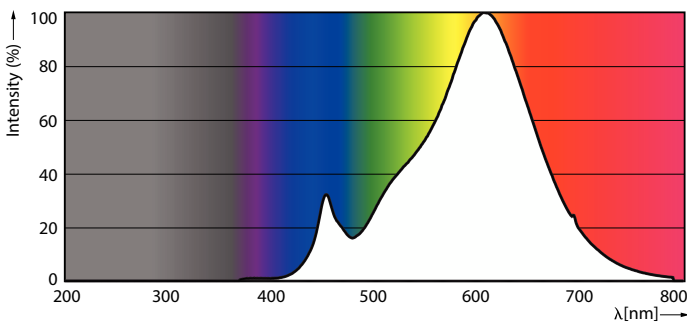
Product	D	C
CorePro LED spot ND 3-20W MR16 827 36D	51 mm	46 mm

## Photometric data



Accent Lighting Spots - CorePro LED spot ND 3-20W MR16 827 36D

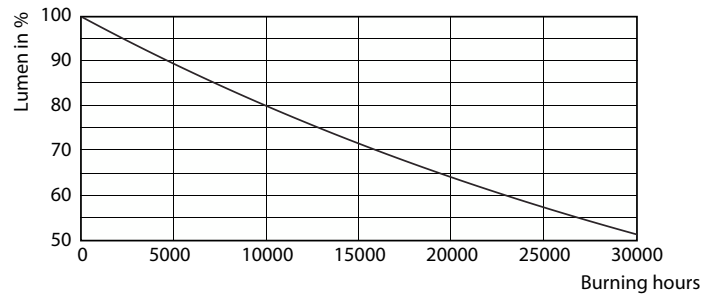
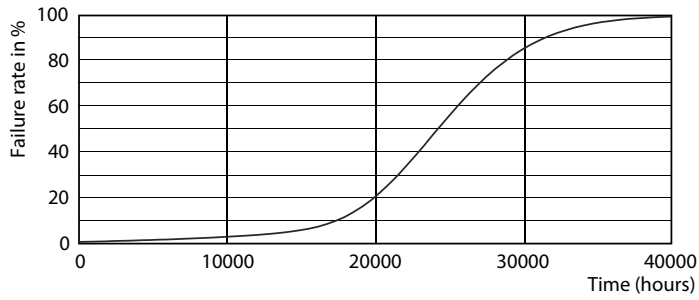
Light Distribution Diagram - CorePro LED spot ND 3-20W MR16 827 36D



Spectral Power Distribution Colour - CorePro LED spot ND 3-20W MR16 827 36D

# CorePro LEDspot LV

## Lifetime



Life Expectancy Diagram - CorePro LED spot ND 3-20W MR16 827 36D

Lumen Maintenance Diagram - CorePro LED spot ND 3-20W MR16 827 36D

