



# CorePro LEDspot LV

## CorePro LED spot ND 8-50W MR16 840 36D

CorePro LEDspots are a perfect fit for spot lighting and deliver warm halogen-like light. They are compatible with most existing fixtures with MR16 GU5.3 holders and are designed as a retrofit replacement for halogen or incandescent spots. LEDlamps deliver huge energy savings and minimize maintenance cost.

### Product data

General Information	
Cap base	GU5.3 [GU5.3]
Nominal lifetime	15,000 h
Switching Cycle	50,000
Lighting Technology	LED
EU RoHS compliant	Yes
Light Technical	
Colour Code	840 [CCT of 4000K]
Beam angle (nom.)	36 degree(s)
Luminous Flux	630 lm
Luminous intensity (nom.)	1,100 cd
Colour designation	Cool White (CW)
Correlated Colour Temperature	4000 K
Luminous efficacy (rated) (nom.)	78.75 lm/W
Colour consistency	<6
Colour rendering index (CRI)	80
LLMF at end of nominal lifetime (nom.)	70 %
Luminous flux in 90° cone (rated)	630 lm
Operating and Electrical	
Power Consumption	8 W
Lamp current (nom.)	660 mA

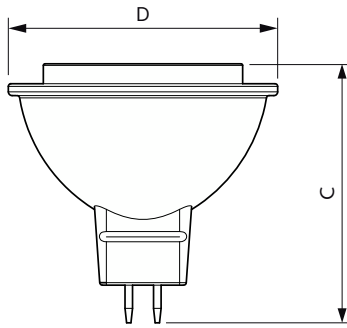
Wattage equivalent	50 W
Starting time (nom.)	0.5 s
Warm-up time to 60% light	0.5 s
Power Factor (Fraction)	0.85
Voltage (nom.)	12 V
Temperature	
T-Case maximum (nom.)	90 °C
Controls and Dimming	
Dimmable	No
Mechanical and Housing	
Bulb shape	MR16 [2 inch/50 mm]
Approval and Application	
Suitable for accent lighting	Yes
Energy consumption kWh/1,000 hours	9 kWh
EyeComfort	Yes
Product Data	
Order product name	CorePro LED spot ND 8-50W MR16 840 36D
Full product name	CorePro LED spot ND 8-50W MR16 840 36D

# CorePro LEDspot LV

Full EOC	871869671089000
Order code	71089000
Material no. (12 NC)	929001345102
SAP numerator – quantity per pack	1
EAN/UPC – Product/Case	8718696710890

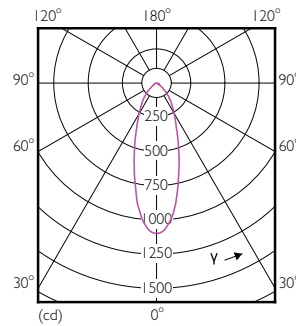
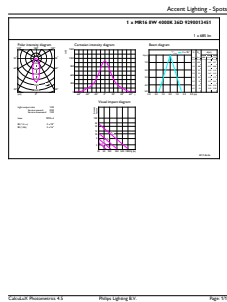
Numerator – packs per outer box	10
EAN/UPC – Case	8718696710906

## Dimensional drawing



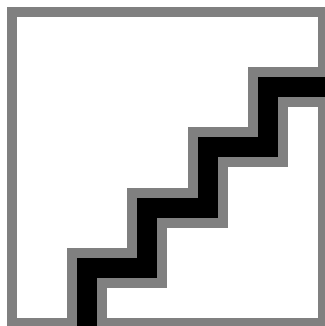
Product	D	C
CorePro LED spot ND 8-50W MR16 840 36D	51 mm	50 mm

## Photometric data



Accent Lighting Spots – CorePro LED spot ND 8-50W MR16 840 36D

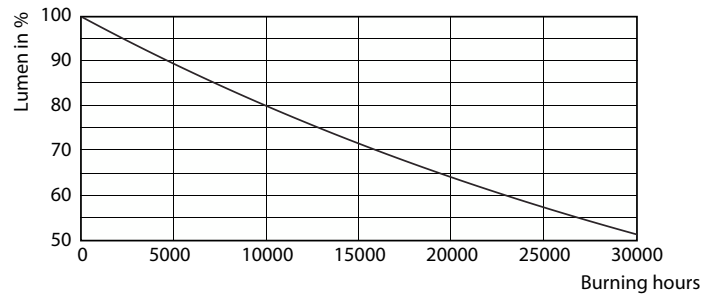
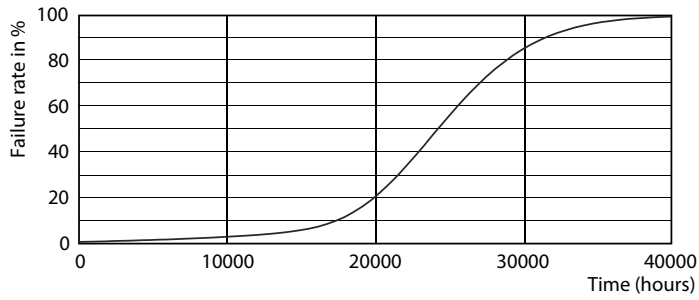
Light Distribution Diagram – CorePro LED spot ND 8-50W MR16 840 36D



Spectral Power Distribution Colour – CorePro LED spot ND 8-50W MR16 840 36D

# CorePro LEDspot LV

## Lifetime



Life Expectancy Diagram - CorePro LED spot ND 8-50W MR16 840 36D

Lumen Maintenance Diagram - CorePro LED spot ND 8-50W MR16 840 36D

