



MASTER LEDspot ExpertColor LV

MASTER LED ExpertColor LED ExpertColor 7.5-43W MR16 927 24D

MASTER LEDspot LV ExpertColor creates a warm and comfortable ambience for hospitality venues, homes and restaurants. It creates such an ambience with superior lighting that has a customised spectrum, high CRI and deep dimming feature. The result? A beautiful lighting experience. What's more, the innovative, trimless lens design will suit almost any interior decor with its clean and neat look. In addition, you can take advantage of the full ExpertColor family, which also includes LEDspot MV lamps.

Product data

General Information	
Cap base	GU5.3 [GU5.3]
Nominal lifetime (nom.)	40000 h
Switching cycle	50000X
Technical type	7.5-43W
Light Technical	
Colour code	927
Beam Angle (Nom)	24°
Luminous flux (nom.)	485 lm
Luminous flux (rated) (nom.)	485 lm
Luminous intensity (nom.)	2400 cd
Colour designation	Warm white (WW)
Rated beam angle	24°
Correlated colour temperature (nom.)	2700 K
Luminous efficacy (rated) (nom.)	64.67 lm/W

Colour consistency	<3
Color rendering index (nom.)	92
LLMF at end of nominal lifetime (nom.)	70 %
Luminous Flux in 90° Cone (Rated)	485 lm
Operating and Electrical	
Power (Rated) (Nom)	7.5 W
Lamp current (nom.)	880 mA
Wattage equivalent	43 W
Starting time (nom.)	0.5 s
Warm-up time to 60% light (nom.)	0.5 s
Power factor (nom.)	0.7
Voltage (Nom)	ac electronic 12 V

MASTER LEDspot ExpertColor LV

Temperature

T-Case maximum (nom.)	93 °C
-----------------------	-------

Controls and Dimming

Dimmable	Yes
----------	-----

Approval and Application

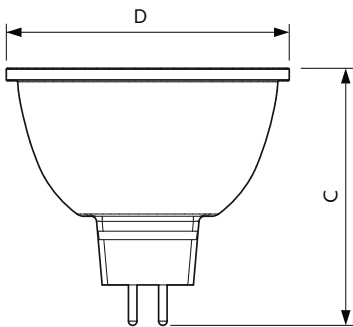
Energy efficiency label (EEL)	A
Suitable for accent lighting	Yes
Energy Consumption kWh/1000 h	9 kWh

Product Data

Full product code	871869673538100
-------------------	-----------------

Order product name	MASTER LED ExpertColor LED ExpertColor 7.5-43W MR16 927 24D
EAN/UPC – product	8718696735381
Order code	73538100
Numerator – quantity per pack	1
Numerator – packs per outer box	10
Material no. (12NC)	929001386002
Net weight (piece)	0.034 kg

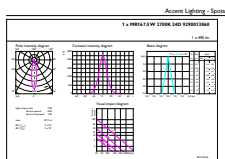
Dimensional drawing



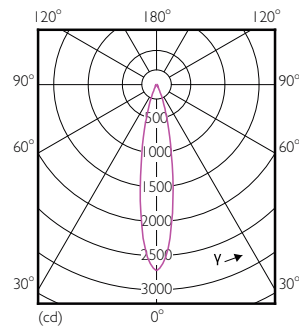
MR16 12V 8-43W 550lm 24D 2700K GU5.3 D

Product	D	C
MASTER LED ExpertColor LED ExpertColor 7.5-43W MR16 927 24D	50.5 mm	46 mm

Photometric data



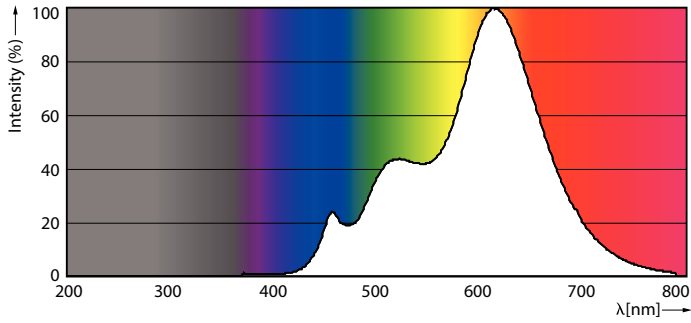
Calculat Photometric 4.1 Beam Lighting 4.1 Page 11



MAS LEDspotLV 43W GU5-3 927 24D MR16

MASTER LEDspot ExpertColor LV

Photometric data



Lifetime

