



MASTER LEDspot ExpertColor LV

MASTER LED ExpertColor LED ExpertColor 7.5-43W MR16 940 36D

MASTER LEDspot LV ExpertColor creates a warm and comfortable ambience for hospitality venues, homes and restaurants. It creates such an ambience with superior lighting that has a customised spectrum, high CRI and deep dimming feature. The result? A beautiful lighting experience. What's more, the innovative, trimless lens design will suit almost any interior decor with its clean and neat look. In addition, you can take advantage of the full ExpertColor family, which also includes LEDspot MV lamps.

Product data

General Information	
Cap base	GU5.3 [GU5.3]
Nominal lifetime (nom.)	40000 h
Switching cycle	50000X
Technical type	7.5-43W
Light Technical	
Colour code	940 [CCT of 4,000 K]
Beam Angle (Nom)	36 °
Luminous flux (nom.)	520 lm
Luminous flux (rated) (nom.)	520 lm
Luminous intensity (nom.)	1650 cd
Colour designation	Cool White (CW)
Rated beam angle	36 °
Correlated colour temperature (nom.)	4000 K
Luminous efficacy (rated) (nom.)	69.33 lm/W

Colour consistency	<3
Color rendering index (nom.)	92
LLMF at end of nominal lifetime (nom.)	70 %
Luminous Flux in 90° Cone (Rated)	520 lm
Operating and Electrical	
Power (Rated) (Nom)	7.5 W
Lamp current (nom.)	880 mA
Wattage equivalent	43 W
Starting time (nom.)	0.5 s
Warm-up time to 60% light (nom.)	0.5 s
Power factor (nom.)	0.7
Voltage (Nom)	ac electronic 12 V

MASTER LEDspot ExpertColor LV

Temperature

T-Case maximum (nom.) 93 °C

Controls and Dimming

Dimmable Yes

Approval and Application

Energy efficiency label (EEL) A

Suitable for accent lighting Yes

Energy Consumption kWh/1000 h 9 kWh

Product Data

Full product code 871869673548000

Order product name MASTER LED ExpertColor LED ExpertColor
7.5-43W MR16 940 36D

EAN/UPC – product 8718696735480

Order code 73548000

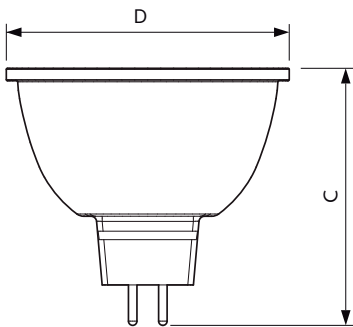
Numerator – quantity per pack 1

Numerator – packs per outer box 10

Material no. (12NC) 929001386502

Net weight (piece) 0.030 kg

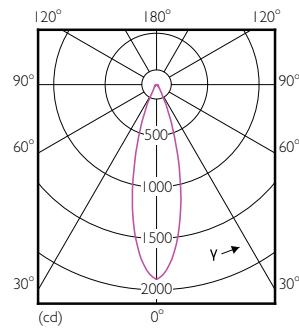
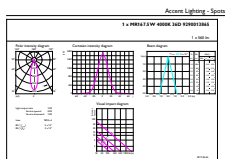
Dimensional drawing



MR16 12V 8-43W 570lm 36D 4000K GU5.3 D

Product	D	C
MASTER LED ExpertColor LED ExpertColor 7.5-43W MR16 940 36D	50.5 mm	46 mm

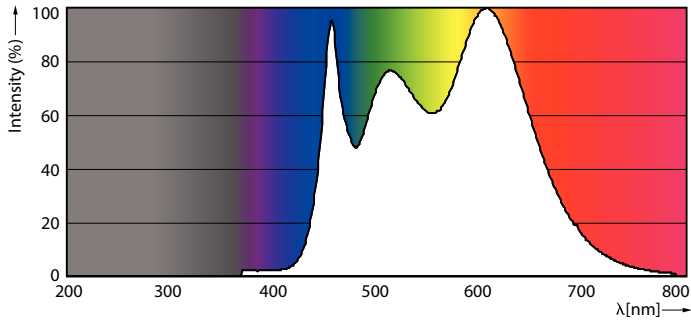
Photometric data



MAS LEDspotLV 43W GU5-3 940 36D MR16

MASTER LEDspot ExpertColor LV

Photometric data



Lifetime

