



Essential LED bulbs

Ess LEDBulb 4.5-40W E27 3000K A19 2PK MX

Essential LEDbulbs are compatible with existing fixtures with a E27 holder and are designed for retrofit replacement of incandescent, halogen and energy saving bulbs. They deliver huge energy savings and minimize initial investment

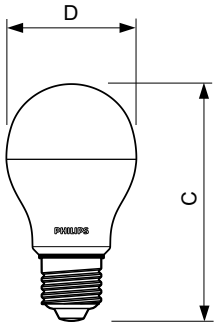
Product data

General Information	
Cap-Base	E27 [E27]
Nominal Lifetime (Nom)	10000 h
Switching Cycle	50000X
Technical Type	4.5-40W
Light Technical	
Color Code	830 [CCT of 3000K]
Beam Angle (Nom)	130 °
Luminous Flux (Nom)	420 lm
Luminous Flux (Rated) (Nom)	420 lm
Color Designation	White (WH)
Correlated Color Temperature (Nom)	3000 K
Luminous Efficacy (rated) (Nom)	93.33 lm/W
Color Consistency	<7
Color Rendering Index (Nom)	80
LLMF At End Of Nominal Lifetime (Nom)	70 %
Operating and Electrical	
Input Frequency	50 to 60 Hz
Power (Rated) (Nom)	4.5 W
Lamp Current (Nom)	72 mA
Wattage Equivalent	40 W
Starting Time (Nom)	0.5 s

Warm Up Time to 60% Light (Nom)	0.5 s
Power Factor (Nom)	0.5
Voltage (Nom)	110-130 V
Temperature	
T-Case Maximum (Nom)	50 °C
Controls and Dimming	
Dimmable	No
Mechanical and Housing	
Bulb Finish	Frosted
Product Data	
Full product code	871869676015400
Order product name	Ess LEDBulb 4.5-40W E27 3000K A19 2PK MX
EAN/UPC - Product	8718696760161
Order code	929001806741
Numerator - Quantity Per Pack	1
Numerator - Packs per outer box	6
Material Nr. (12NC)	929001806741
Net Weight (Piece)	0.050 kg

Essential LED bulbs

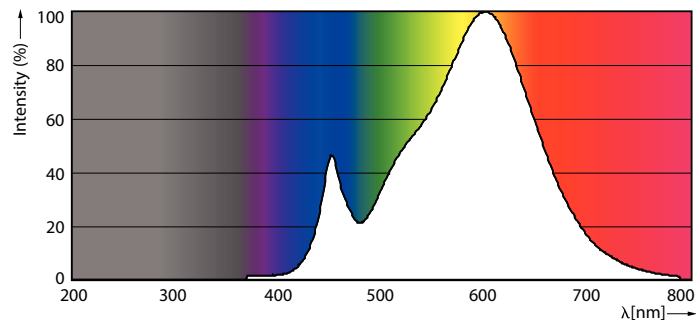
Dimensional drawing



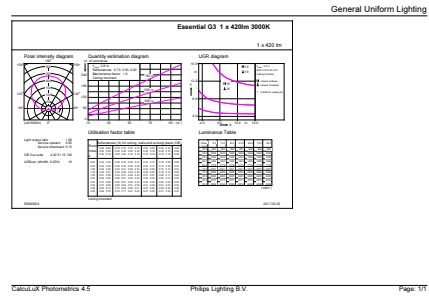
Bulb 110-130V 4.5-40W 420lm 3000K E27 ND

Product	D	C
Ess LEDBulb 4.5-40W E27 3000K A19 2PK MX	58 mm	104 mm

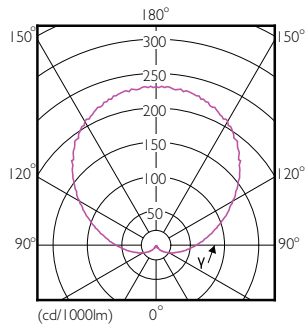
Photometric data



LEDBulb E27 3000K A19



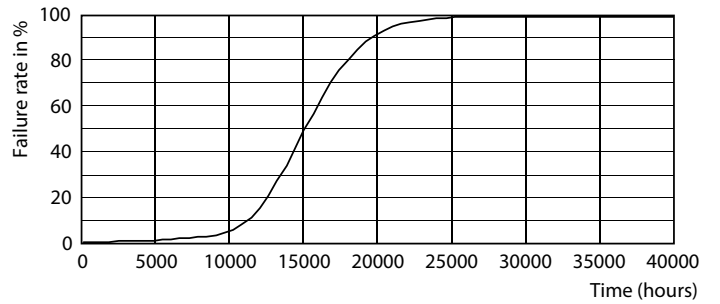
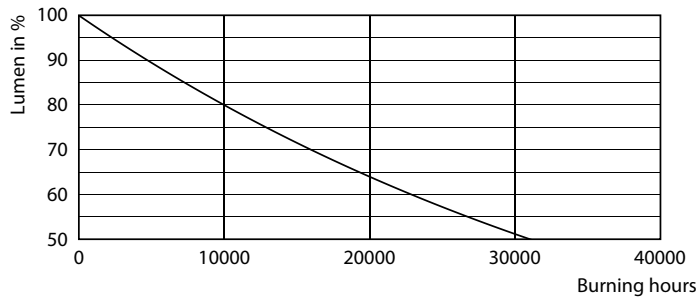
LEDBulb 4,5-40W E27 3000K A19



LEDBulb E27 A19

Essential LED bulbs

Lifetime



LEDBulb E27 A19

LEDBulb E27 A19

