



# Essential LEDspot MR16

## LED spot 5-50W 120D 2700K 220V

Essential LEDspots MR16 are compatible with most existing fixtures with a GU5.3 socket and are designed as a retrofit replacement for halogen spots. Essential LEDspots MR16 deliver significant energy savings and minimise the initial investment.

### Product data

General Information	
Cap base	GU5.3 [ GU5.3]
RoHS mark	RoHS mark
Nominal lifetime (nom.)	10000 h
Switching cycle	50000X
Technical type	5-50W
Light Technical	
Colour code	727 [ CCT of 2,700 K]
Beam Angle (Nom)	120 °
Luminous flux (nom.)	400 lm
Luminous flux (rated) (nom.)	400 lm
Colour designation	Warm White (WW)
Rated beam angle	120 °
Correlated colour temperature (nom.)	2700 K
Luminous efficacy (rated) (nom.)	80.00 lm/W
Colour consistency	<6
Color rendering index (nom.)	70
LLMF at end of nominal lifetime (nom.)	70 %

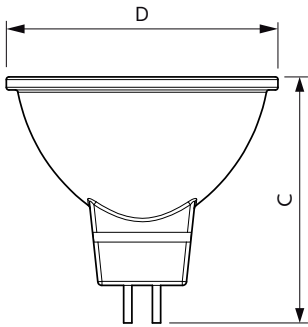
Operating and Electrical	
Input frequency	50 to 60 Hz
Power (Rated) (Nom)	5 W
Lamp current (nom.)	42 mA
Wattage equivalent	50 W
Starting time (nom.)	0.5 s
Warm-up time to 60% light (nom.)	0.5 s
Power factor (nom.)	0.5
Voltage (Nom)	220 V
Temperature	
T-Case maximum (nom.)	70 °C
Controls and Dimming	
Dimmable	No
Approval and Application	
Energy efficiency label (EEL)	A+
Suitable for accent lighting	No

# Essential LEDspot MR16

Energy Consumption kWh/1000 h	5 kWh
<b>Product Data</b>	
Full product code	871869679314500
Order product name	LED spot 5-50W 120D 2700K 220V
EAN/UPC – product	8718696793145
Order code	79314500

Numerator – quantity per pack	1
Numerator – packs per outer box	10
Material no. (12NC)	929001844508
Net weight (piece)	0.038 kg

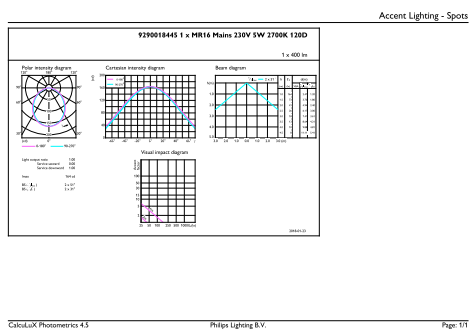
## Dimensional drawing



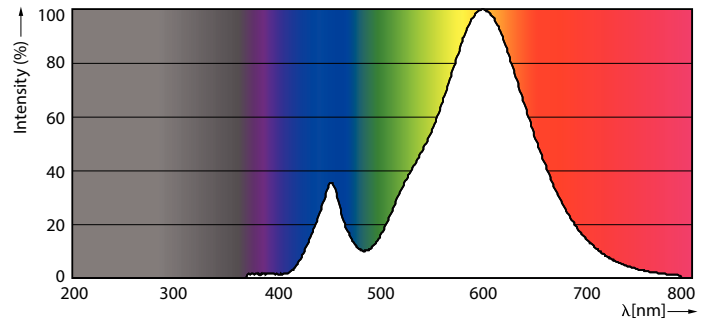
MR16 12V 5.2W-50W 400lm 120D 2700K GU5.3

Product	D	C
LED spot 5-50W 120D 2700K 220V	50.5 mm	46.5 mm

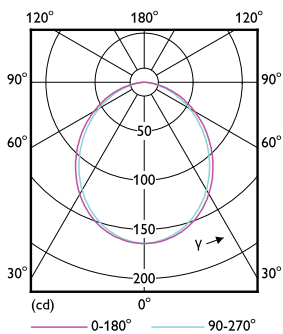
## Photometric data



LEDspot ESS 50W GU5.3 MR16 827 12D ND RCA



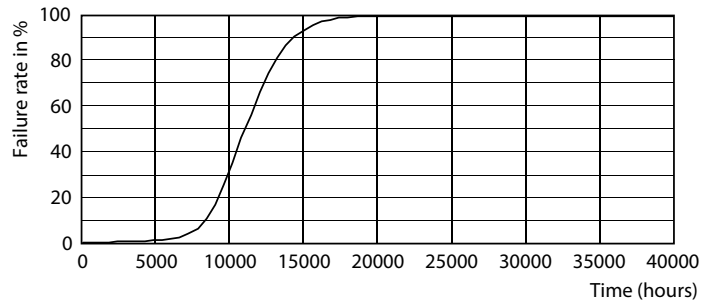
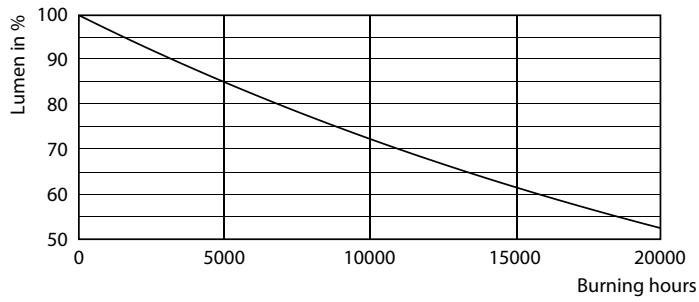
LEDspot ESS 50W GU5.3 MR16 827 12D ND RCA



LEDspot ESS 50W GU5.3 MR16 827 12D ND RCA

# Essential LEDspot MR16

## Lifetime



LEDspot ESS 50W GU5.3 MR16 827 12D ND RCA

LEDspot ESS 50W GU5.3 MR16 827 12D ND RCA

