



LED MR16

6.5MR16/LED/F25/927/D/EC/12V T20 10/1FB

Philips LED MR-16 lamps with single optic technology provide the look and color quality of traditional halogens while using a fraction of the energy. A perfect fit for spot lighting, they are compatible with most existing fixtures with MR16 GU5.3 holders and are designed as a retrofit replacement for halogen or incandescent spots.

Product data

General Information		Lamp Current (Nom)	
Cap-Base	GU5.3 [GU5.3]		700 mA
EU RoHS compliant	Yes	Wattage Equivalent	42 W
Nominal Lifetime (Nom)	25000 h	Starting Time (Nom)	0.5 s
Switching Cycle	50000X	Warm Up Time to 60% Light (Nom)	0.5 s
Technical Type	6.5-42W	Power Factor (Nom)	0.8
		Voltage (Nom)	ac electronic 12 V
Light Technical		Temperature	
Color Code	927	T-Case Maximum (Nom)	92 °C
Beam Angle (Nom)	25 °		
Luminous Flux (Nom)	485 lm	Controls and Dimming	
Luminous Intensity (Nom)	1960 cd	Dimmable	Yes
Color Designation	Warm White (WW)	Mechanical and Housing	
Correlated Color Temperature (Nom)	2700 K	Bulb Finish	Clear
Luminous Efficacy (rated) (Nom)	74.00 lm/W	Bulb Material	Aluminum
Color Consistency	<3	Bulb Shape	MR16 [2inch/50mm]
Color Rendering Index (Nom)	91	Approval and Application	
LLMF At End Of Nominal Lifetime (Nom)	70 %	Suitable For Accent Lighting	Yes
Operating and Electrical		Energy Consumption kWh/1000 h	- kWh
Input Frequency	- Hz		
Power (Nom)	6.5 W		

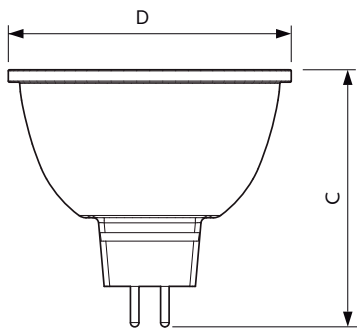
LED MR16

Product Data

Order product name	6.5MR16/LED/F25/927/D/EC/12V T20 10/1FB
EAN/UPC - Product	046677479138
Order code	929001854304
Numerator - Quantity Per Pack	1

Numerator - Packs per outer box	10
Material Nr. (12NC)	929001854304
Net Weight (Piece)	0.056 kg

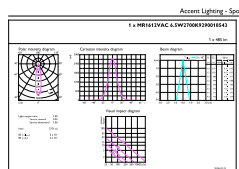
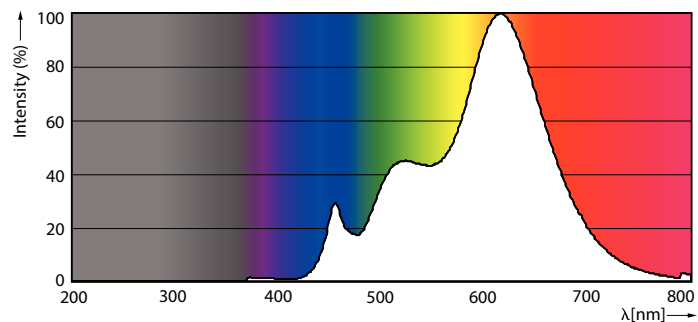
Dimensional drawing



6.5MR16/LED/F25/927/D/EC/12V T20 10/1FB

Product	D	C
6.5MR16/LED/F25/927/D/EC/12V T20 10/1FB	50.5 mm	46 mm

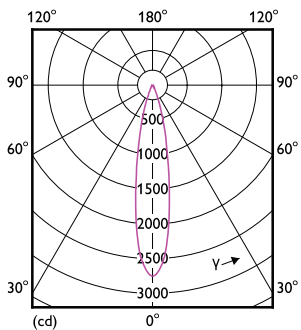
Photometric data



© 2012 Philips Lighting B.V. Page 1/1

LEDspot 6.5W GU5.3 MR16 927 25-35D DIM

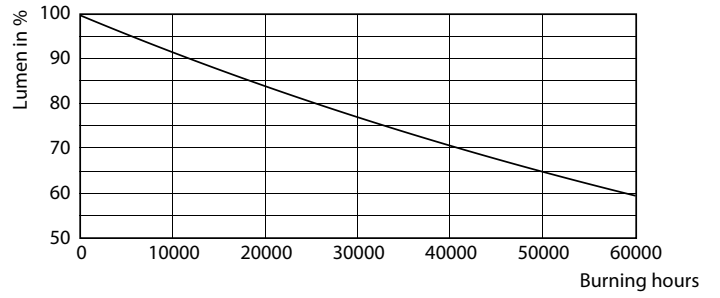
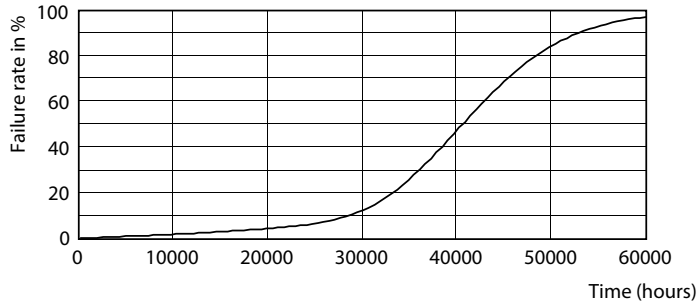
LEDspot 6.5W GU5.3 MR16 927 25D DIM



LEDspot 6.5W GU5.3 MR16 927 25D DIM

LED MR16

Lifetime



LEDspot 6.5W GU5.3 MR16 927 25D DIM

LEDspot 6.5W GU5.3 MR16 927 25D DIM

