



# LED MR16

## 6.5MR16/LED/F25/930/D/EC/12V T20 10/1FB

Philips LED MR-16 lamps with single optic technology provide the look and color quality of traditional halogens while using a fraction of the energy. A perfect fit for spot lighting, they are compatible with most existing fixtures with MR16 GU5.3 holders and are designed as a retrofit replacement for halogen or incandescent spots.

### Product data

General Information	
Cap-Base	GU5.3 [GU5.3]
Nominal lifetime	25,000 hour(s)
Switching Cycle	50,000
Lighting Technology	LED
EU RoHS compliant	Yes

Light Technical	
Color Code	930 [CCT of 3000K]
Beam Angle (Nom)	25 degree(s)
Luminous Flux	485 lm
Luminous Intensity (Nom)	1,960 cd
Color Designation	White (WH)
Correlated Color Temperature (Nom)	3000 K
Luminous Efficacy (rated) (Nom)	74.00 lm/W
Color Consistency	<3
Color rendering index (CRI)	91
LLMF At End Of Nominal Lifetime (Nom)	70 %

Operating and Electrical	
Line Frequency	- Hz
Input Frequency	- Hz

Power Consumption	6.5 W
Lamp Current (Nom)	700 mA
Wattage Equivalent	42 W
Starting Time (Nom)	0.5 s
Warm-up time to 60% light	0.5 s
Power Factor (Fraction)	0.8
Voltage (Nom)	ac electronic 12 V

Temperature	
T-Case Maximum (Nom)	92 °C

Controls and Dimming	
Dimmable	Yes

Mechanical and Housing	
Bulb Finish	Clear
Bulb Material	Aluminum
Bulb Shape	MR16 [2inch/50mm]

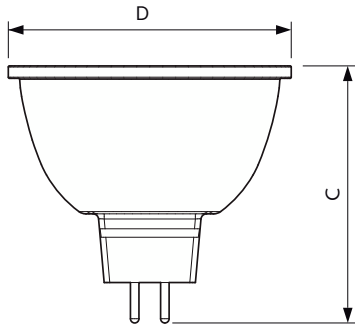
Approval and Application	
Suitable For Accent Lighting	Yes

# LED MR16

Energy Consumption kWh/1000 h	- kWh
<b>Product Data</b>	
Order product name	6.5MR16/LED/F25/930/D/EC/12V T20 10/1FB
Full product name	6.5MR16/LED/F25/930/D/EC/12V T20 10/1FB
Order code	929001854404
Material Nr. (12NC)	929001854404

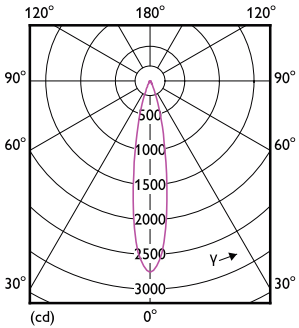
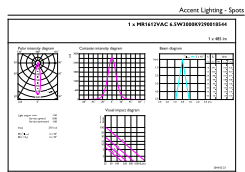
Numerator - Quantity Per Pack	1
EAN/UPC - Product/Case	046677479145
Numerator - Packs per outer box	10
EAN/UPC - Case	50046677479140

## Dimensional drawing



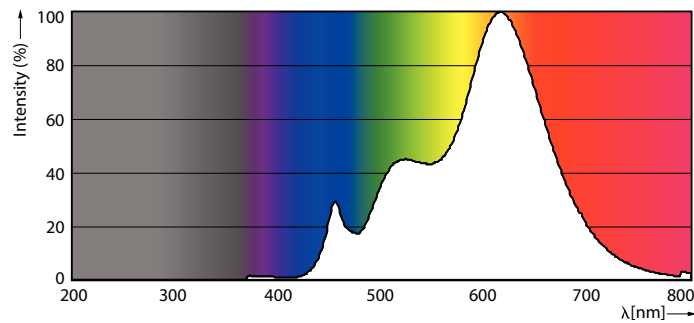
Product	D	C
6.5MR16/LED/F25/930/D/EC/12V T20 10/1FB	50.5 mm	46 mm

## Photometric data



Accent Lighting Spots - 6.5MR16/LED/F25/930/D/EC/12V T20 10/1FB

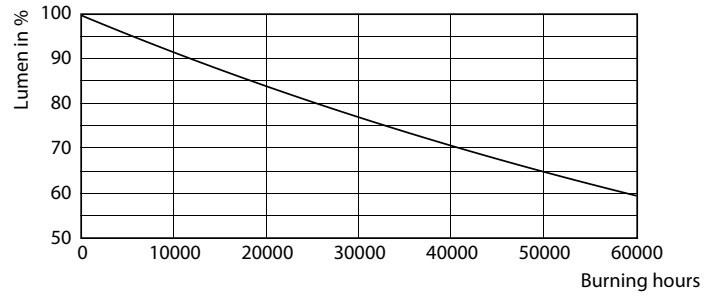
Light Distribution Diagram - 6.5MR16/LED/F25/930/D/EC/12V T20 10/1FB



Spectral Power Distribution Colour - 6.5MR16/LED/F25/930/D/EC/12V T20 10/1FB

# LED MR16

## Lifetime



Life Expectancy Diagram - 6.5MR16/LED/F25/930/D/EC/12V T20 10/1FB

Lumen Maintenance Diagram - 6.5MR16/LED/F25/930/D/EC/12V T20 10/1FB

