



LED MR16

6.5MR16/LED/F35/927/D/EC/12V T20 10/1FB

Philips LED MR-16 lamps with single optic technology provide the look and color quality of traditional halogens while using a fraction of the energy. A perfect fit for spot lighting, they are compatible with most existing fixtures with MR16 GU5.3 holders and are designed as a retrofit replacement for halogen or incandescent spots.

Product data

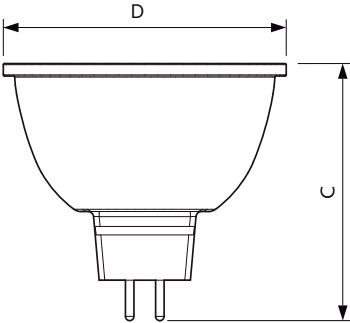
General Information	
Base	GU5.3 [GU5.3]
Nominal Lifetime (Nom)	25000 h
Switching Cycle	50000X
Technical Type	6.5-42W
Light Technical	
Color Code	927
Beam Angle (Nom)	35°
Initial lumen (Nom)	485 lm
Luminous Flux (Rated) (Nom)	485 lm
Luminous Intensity (Nom)	1110 cd
Color Designation	Warm White (WW)
Rated Beam Angle	35°
Correlated Color Temperature (Nom)	2700 K
Luminous Efficacy (rated) (Nom)	74.00 lm/W
Color Consistency	<3
Color Rendering Index (Nom)	91
LLMF At End Of Nominal Lifetime (Nom)	70 %
Operating and Electrical	
Power (Rated) (Nom)	6.5 W

Lamp Current (Nom)	700 mA
Wattage Equivalent	42 W
Starting Time (Nom)	0.5 s
Warm Up Time to 60% Light (Nom)	0.5 s
Power Factor (Nom)	0.8
Voltage (Nom)	ac electronic 12 V
Temperature	
T-Case Maximum (Nom)	92 °C
Controls and Dimming	
Dimmable	Yes
Approval and Application	
Suitable For Accent Lighting	Yes
Product Data	
Order product name	6.5MR16/LED/F35/927/D/EC/12V T20 10/1FB
EAN/UPC - Product	046677479169
Order code	479162
Numerator - Quantity Per Pack	1
Numerator - Packs per outer box	10

LED MR16

Material Nr. (12NC)	929001854504
Net Weight (Piece)	0.056 kg

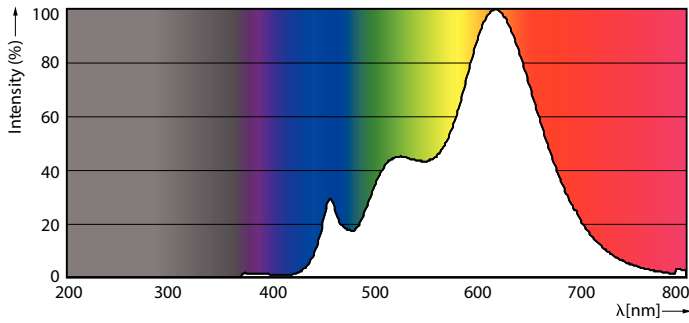
Dimensional drawing



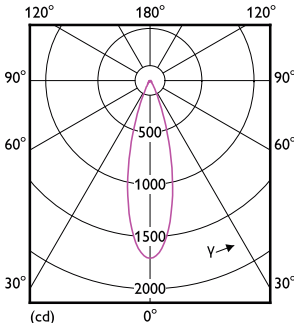
MR16 12V 6.3-42W 35D 2700K GU5.3 D 25khr

Product	D	C
6.5MR16/LED/F35/927/D/EC/12V T20 10/1FB	50.5 mm	46 mm

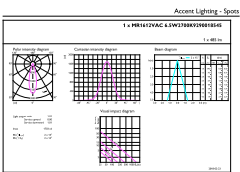
Photometric data



LEDspot 6.5W GU5.3 MR16 927 25-35D DIM



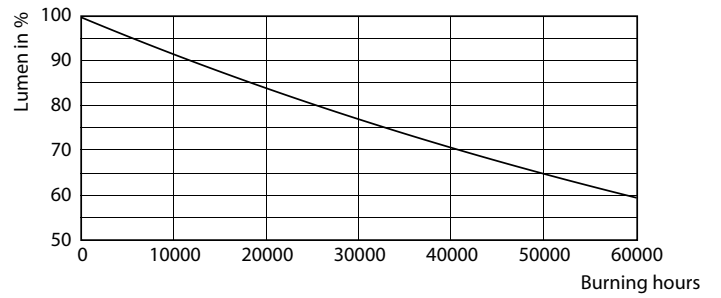
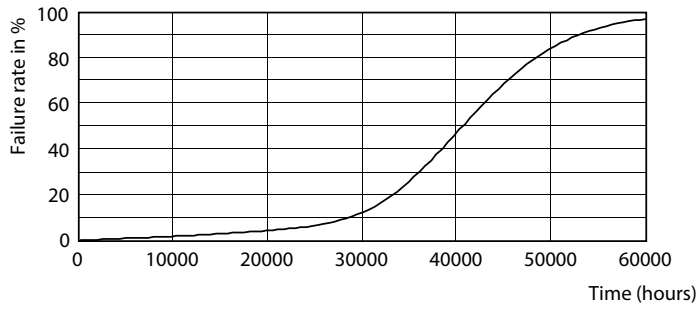
LEDspot 6.5W GU5.3 MR16 927 35D DIM



LEDspot 6.5W GU5.3 MR16 927 35D DIM

LED MR16

Lifetime



LEDspot 6.5W GU5.3 MR16 927 25D DIM

LEDspot 6.5W GU5.3 MR16 927 25D DIM

