



# LED MR16

## 7.8MR16/PER/927/S10/Dim/EC/12V 10/1FB

Philips LED MR-16 lamps with single optic technology provide the look and color quality of traditional halogens while using a fraction of the energy. A perfect fit for spot lighting, they are compatible with most existing fixtures with MR16 GU5.3 holders and are designed as a retrofit replacement for halogen or incandescent spots.

### Product data

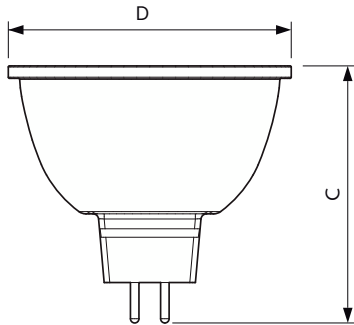
General Information		Power Consumption	
Cap-Base	GU5.3 [GU5.3]	Lamp Current (Nom)	880 mA
Nominal lifetime	25,000 hour(s)	Wattage Equivalent	35 W
Switching Cycle	50,000	Starting Time (Nom)	0.5 s
Lighting Technology	LED	Warm-up time to 60% light	0.5 s
EU RoHS compliant	Yes	Power Factor (Fraction)	0.7
		Voltage (Nom)	ac electronic 12 V
Light Technical		Temperature	
Color Code	927	T-Case Maximum (Nom)	105 °C
Beam Angle (Nom)	10 degree(s)		
Luminous Flux	480 lm	Controls and Dimming	
Luminous Intensity (Nom)	5,300 cd	Dimmable	Yes
Color Designation	Warm White (WW)		
Correlated Color Temperature (Nom)	2700 K	Mechanical and Housing	
Luminous Efficacy (rated) (Nom)	61.00 lm/W	Bulb Finish	Clear
Color Consistency	<3	Bulb Material	Aluminum
Color rendering index (CRI)	95	Bulb Shape	MR16 [2inch/50mm]
LLMF At End Of Nominal Lifetime (Nom)	70 %		
Operating and Electrical		Approval and Application	
Line Frequency	- Hz	Suitable For Accent Lighting	Yes
Input Frequency	- Hz		

# LED MR16

Energy Consumption kWh/1000 h	- kWh
<b>Product Data</b>	
Order product name	7.8MR16/PER/927/S10/Dim/EC/12V 10/1FB
Full product name	7.8MR16/PER/927/S10/Dim/EC/12V 10/1FB
Order code	470138
Material Nr. (12NC)	929001872504

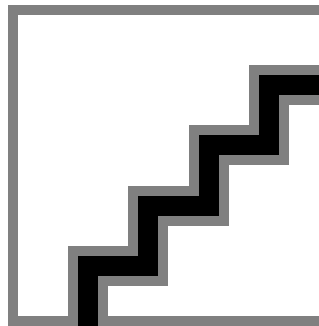
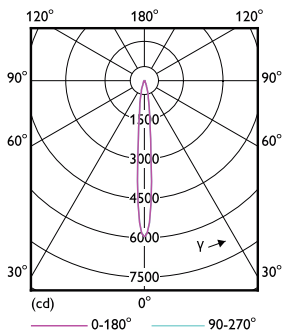
Numerator - Quantity Per Pack	1
EAN/UPC - Product/Case	046677470135
Numerator - Packs per outer box	10
EAN/UPC - Case	50046677470130

## Dimensional drawing



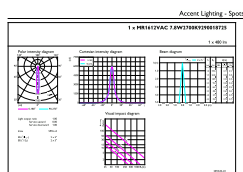
Product	D	C
7.8MR16/PER/927/S10/Dim/EC/12V 10/1FB	51 mm	46 mm

## Photometric data



Light Distribution Diagram - 7.8MR16/PER/927/S10/Dim/EC/12V 10/1FB

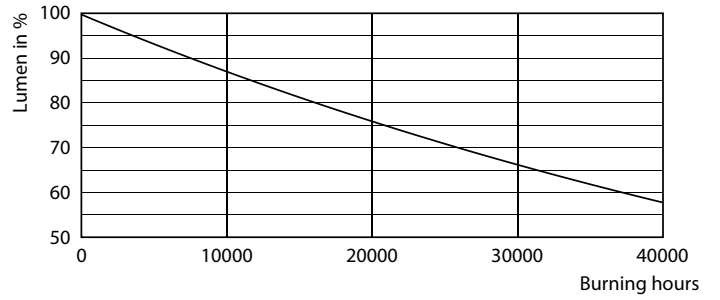
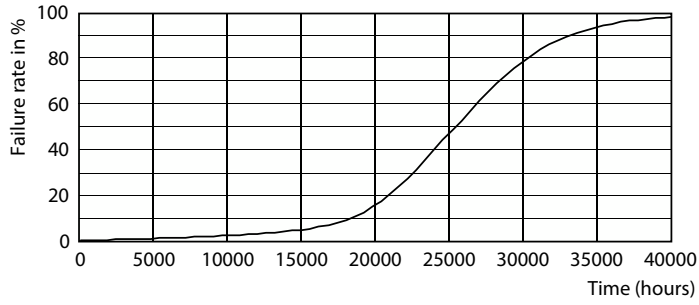
Spectral Power Distribution Colour - 7.8MR16/PER/927/S10/Dim/EC/12V 10/1FB



Accent Lighting Spots - 7.8MR16/PER/927/S10/Dim/EC/12V 10/1FB

# LED MR16

## Lifetime



Life Expectancy Diagram - 7.8MR16/PER/927/S10/Dim/EC/12V 10/1FB

Lumen Maintenance Diagram - 7.8MR16/PER/927/S10/Dim/EC/12V 10/1FB

