



# MR16/GU10/PAR16 LED

## 7.8MR16/PER/940/S10/Dim/EC/12V 10/1FB

Philips MR16 Dimmable LED Lamps provide ambient level light to illuminate hard to maintain applications. Increased transformer compatibility allows for operation on a wider range of transformers. Available in dimmable and non-dimmable versions, these lamps are ideal for track and open recessed fixtures in retail, hospitality and residential spaces.

### Product data

General Information	
Cap-Base	GU5.3 [ GU5.3]
Nominal Lifetime (Nom)	25000 h
Switching Cycle	50000X
Technical Type	7.8-35W
Light Technical	
Color Code	940 [ CCT of 4000K]
Beam Angle (Nom)	10 °
Initial lumen (Nom)	540 lm
Luminous Flux (Rated) (Nom)	540 lm
Luminous Intensity (Nom)	5900 cd
Color Designation	Cool White (CW)
Rated Beam Angle	10 °
Correlated Color Temperature (Nom)	4000 K
Luminous Efficacy (rated) (Nom)	69.00 lm/W
Color Consistency	<3
Color Rendering Index (Nom)	95
LLMF At End Of Nominal Lifetime (Nom)	70 %

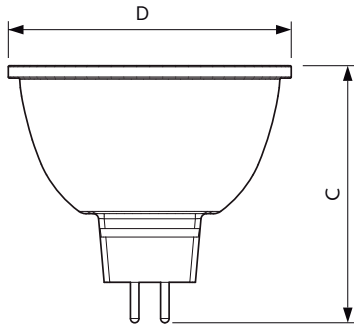
Operating and Electrical	
Power (Rated) (Nom)	7.8 W
Lamp Current (Nom)	880 mA
Wattage Equivalent	35 W
Starting Time (Nom)	0.5 s
Warm Up Time to 60% Light (Nom)	0.5 s
Power Factor (Nom)	0.7
Voltage (Nom)	ac electronic 12 V
Temperature	
T-Case Maximum (Nom)	105 °C
Controls and Dimming	
Dimmable	Yes
Approval and Application	
Suitable For Accent Lighting	Yes
Product Data	
Order product name	7.8MR16/PER/940/S10/Dim/EC/12V 10/1FB

# MR16/GU10/PAR16 LED

EAN/UPC - Product	046677470159
Order code	470153
Numerator - Quantity Per Pack	1
Numerator - Packs per outer box	10

Material Nr. (12NC)	929001872704
Net Weight (Piece)	0.056 kg

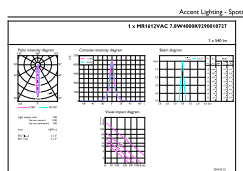
## Dimensional drawing



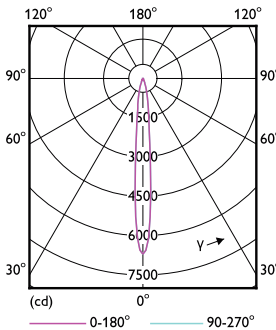
MR16 12V 7.5-35W 490lm 10D 4000K GU5.3 D

Product	D	C
7.8MR16/PER/940/S10/Dim/EC/12V 10/1FB	51 mm	46 mm

## Photometric data

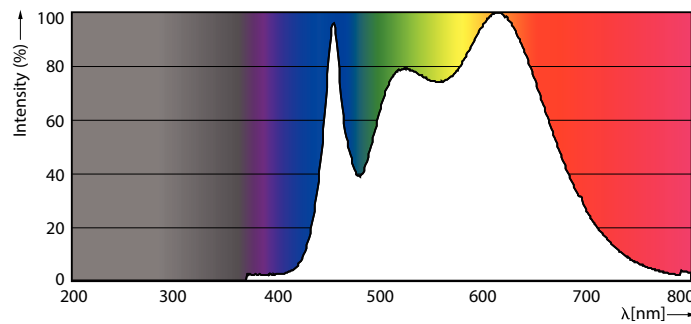


OSRAM Photometric 43 Page 1/1



LEDspot 7.8W GU5.3 MR16 940 10D DIM

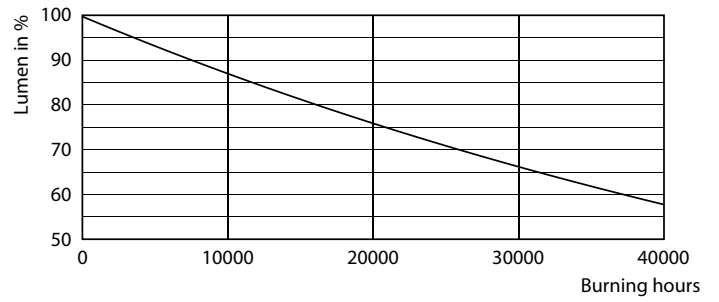
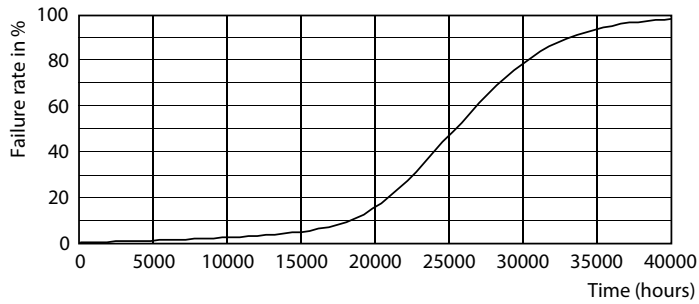
LEDspot 7.8W GU5.3 MR16 940 10D DIM



LEDspot 7.8W GU5.3 MR16 940 10D DIM

# MR16/GU10/PAR16 LED

## Lifetime



LEDspot 7.8W GU5.3 MR16 927 10D DIM

LEDspot 7.8W GU5.3 MR16 927 10D DIM

